

Barock Wheel Lock ca. 1620, France

of a small Luxery Hunting Rifle

copyright 2010, Peter H. Kunz, CH-8200 Schaffhausen

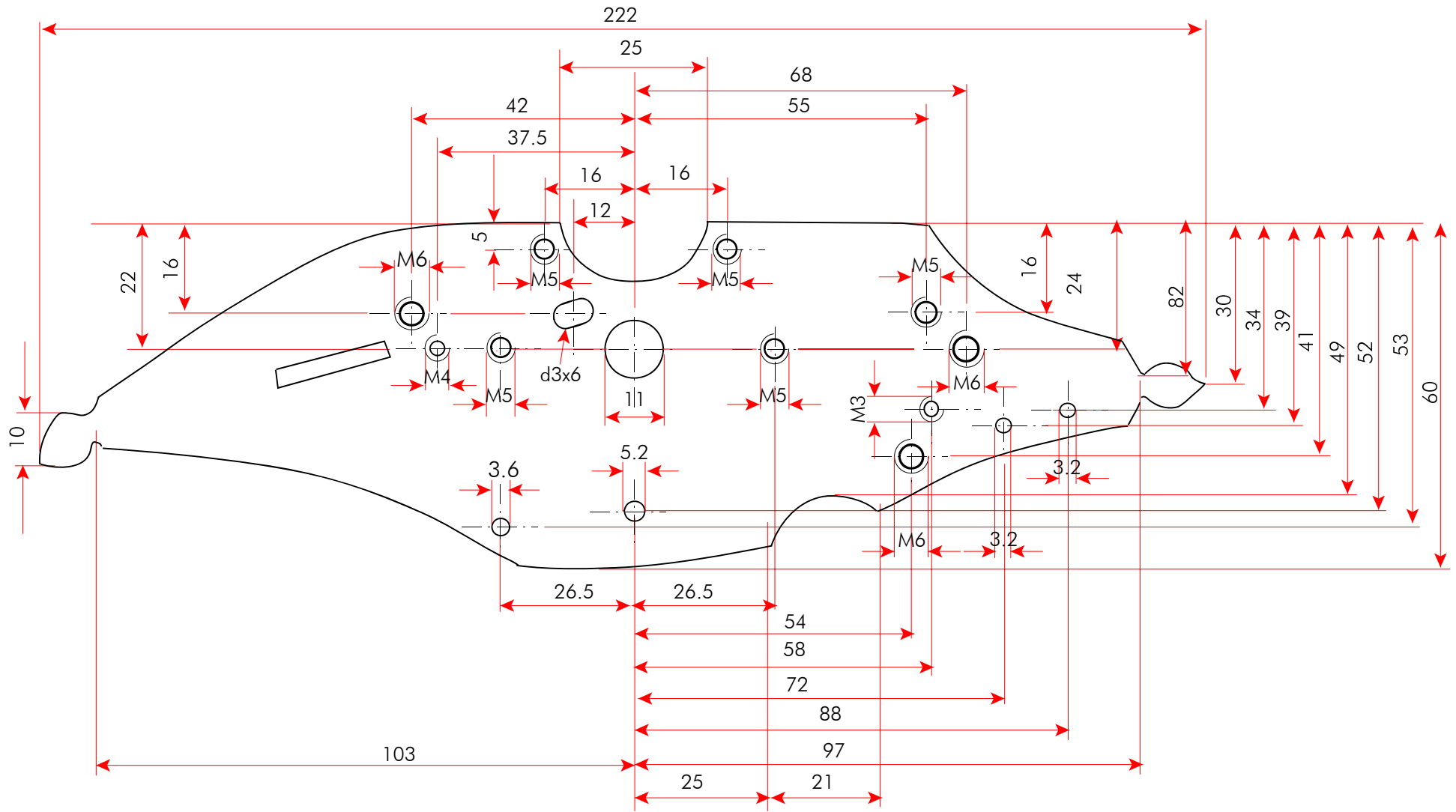
Content

- 1 Pattern for Replica: French Wheel Lock Rifle with two Cocks, ca. 1620, Photo
- 2 Replica, Lock Plate, Front Side, Drawing
- 3 Replica, Lock Plate, Rear Side, Drawing
- 4 Replica, Engraving on Lock Plate, Drawing
- 5 Replica, Cock, Drawing
- 6 Replica, Tension Chain, Wheel Shaft, Cover Pan Lever, Drawing
- 7 Replica, Trigger Bar, Trigger Lever, Safety Catch, Drawing
- 8 Replica, Flash Pan, Pan Cover, Pan Cover Lever, Drawing
- 9 Replica, Wheel Lock Springs, Drawing
- 10 Replica, Wheel, Wheel Cover, Inside Wheel Bearing, Drawing
- 11 Replica, Wheel Lock Assembly, Front Side, Drawing
- 12 Replica, Wheel Lock Assembly, Rear Side, Drawing
- 13 Replica, French Wheel Lock, Front Side, Photo
- 14 Replica, French Wheel Lock, Rear Side, Photo

French Wheel Lock Rifle with two Cocks, ca. 1620

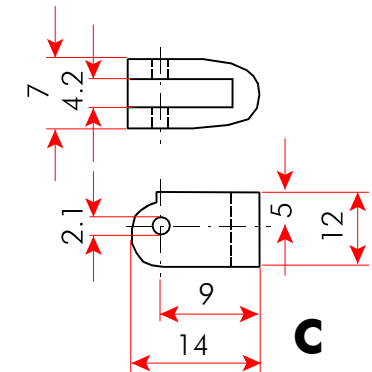
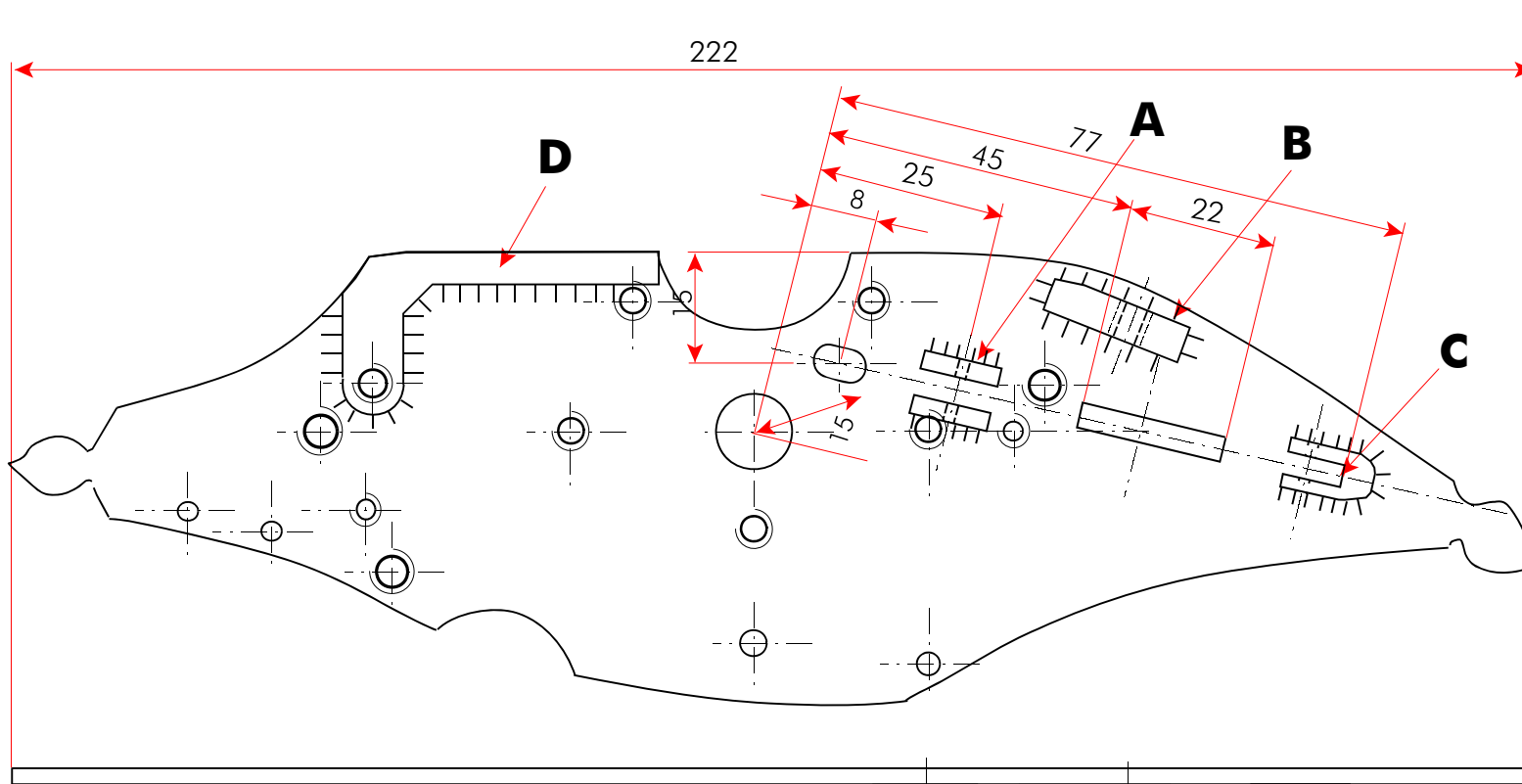


Pattern for Replica with only one Cock

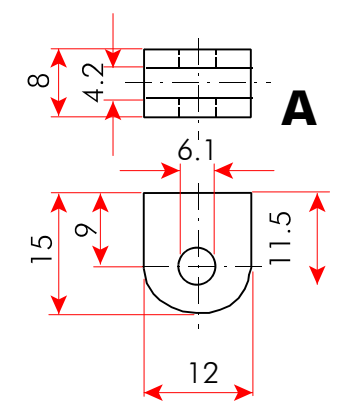


French Wheel Lock, ca. 1620
 Lock Plate, Front Side

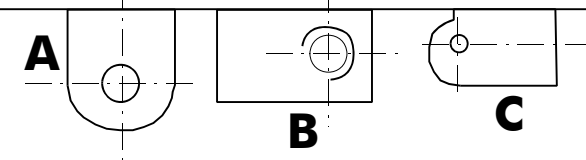
Scale 1 : 1



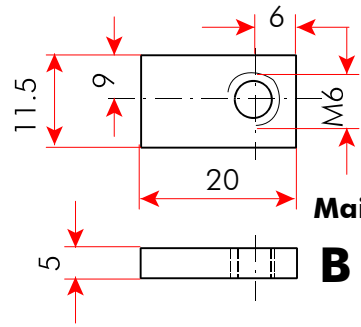
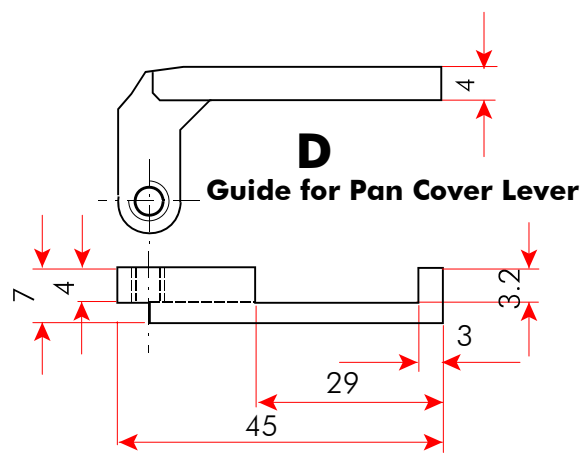
Main Spring support

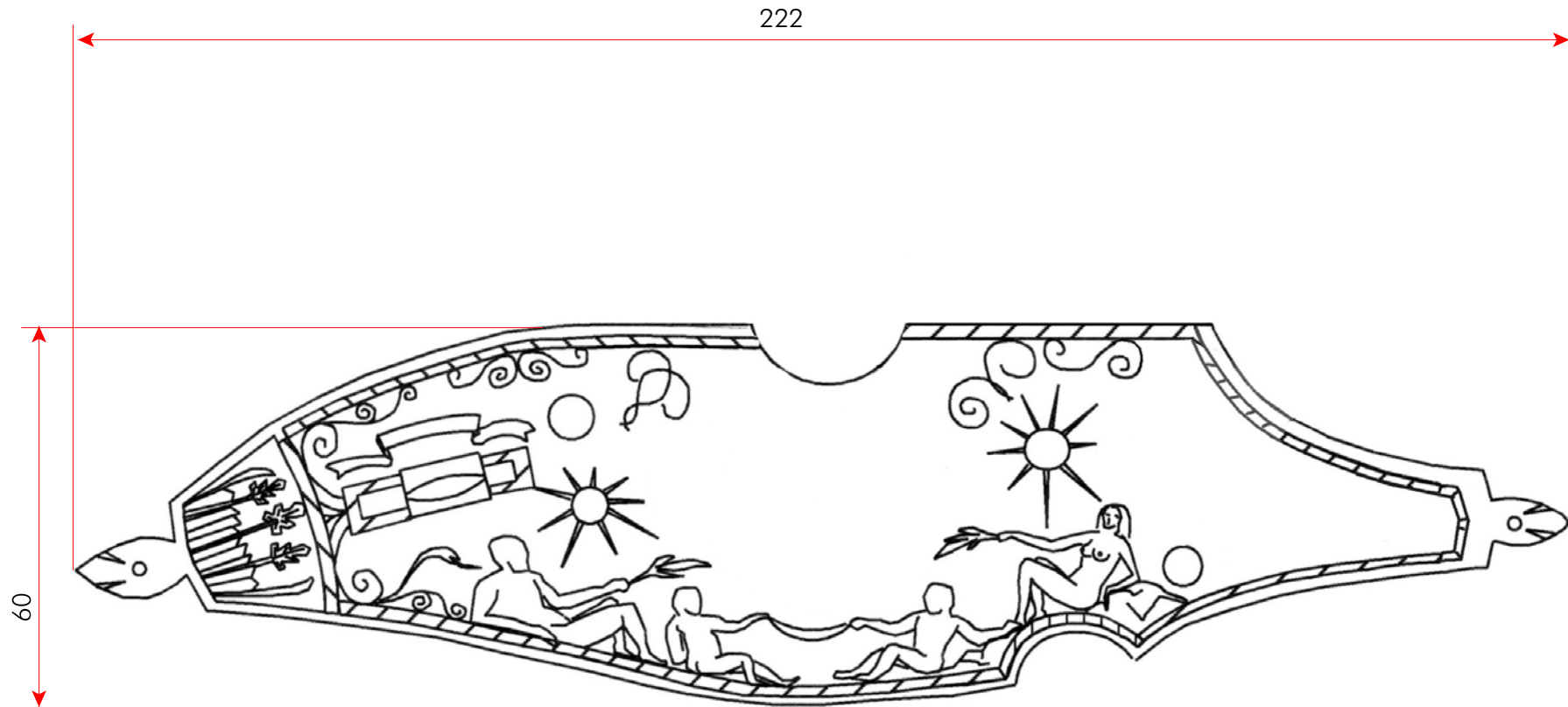


Trigger Lever Bearing



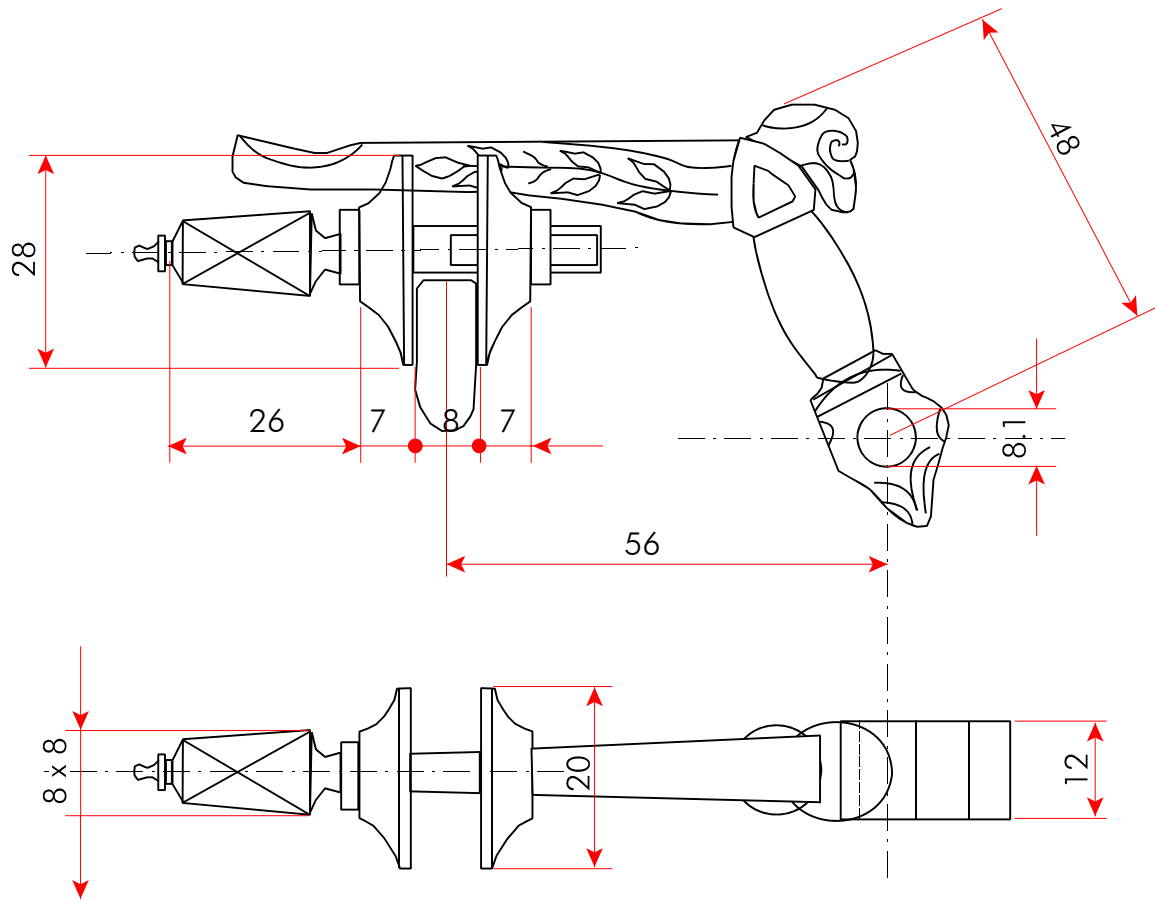
Main Spring Lug



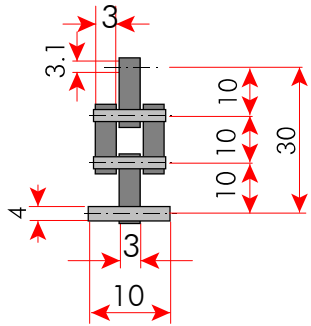


French Wheel Lock, ca. 1620
Replica, Engraving on Lock Plate

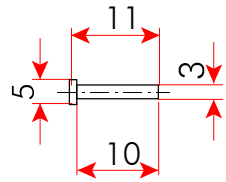
Scale 1 : 1



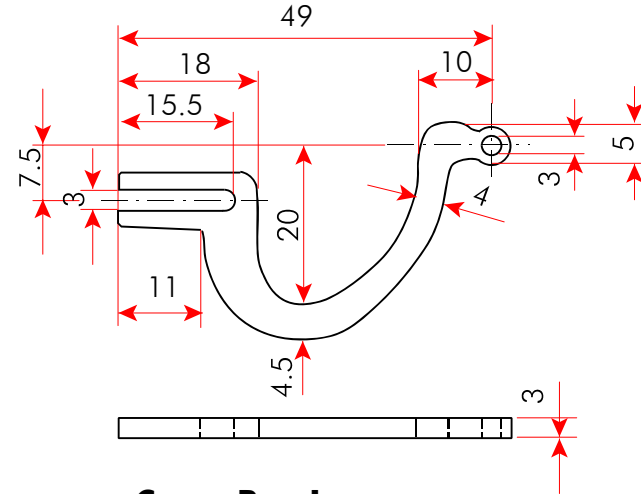
French Wheel Lock, ca. 1620
Replica, Cock



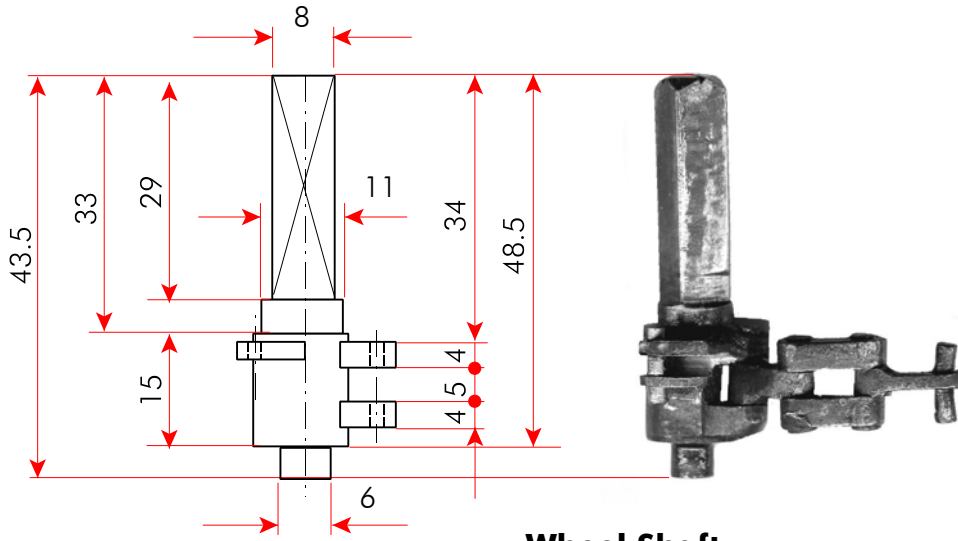
Tension Chain



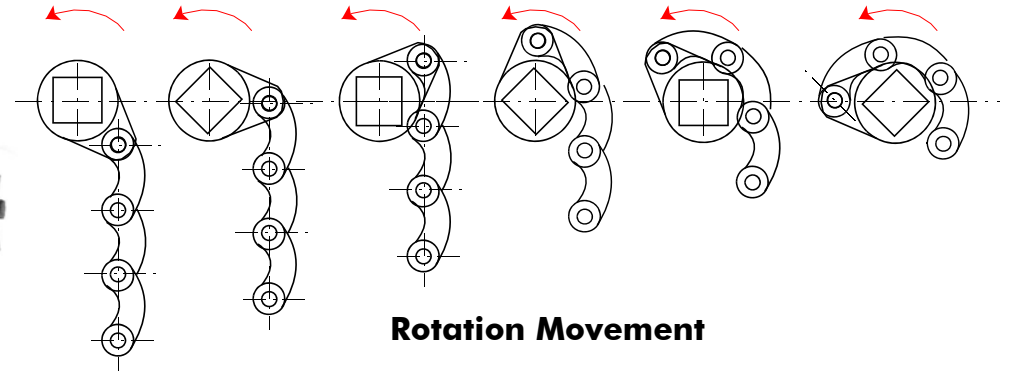
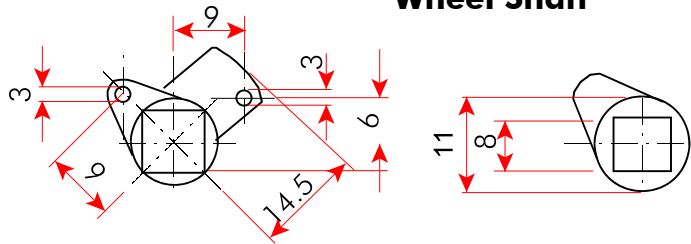
Chain Bolt



Cover Pan Lever

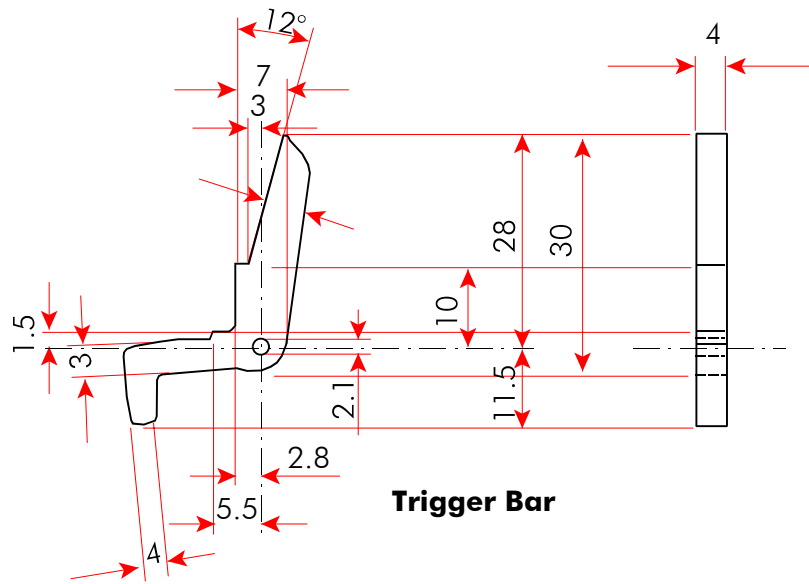


Wheel Shaft

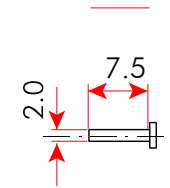


Rotation Movement

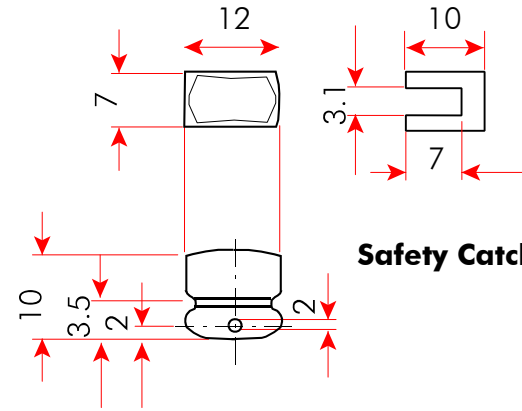
French Wheel Lock, ca. 1620
 Replica, Tension Chain, Wheel Shaft, Cover Pan Lever



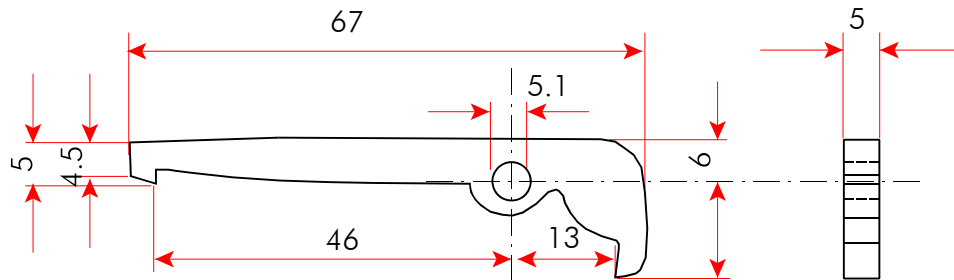
Trigger Bar



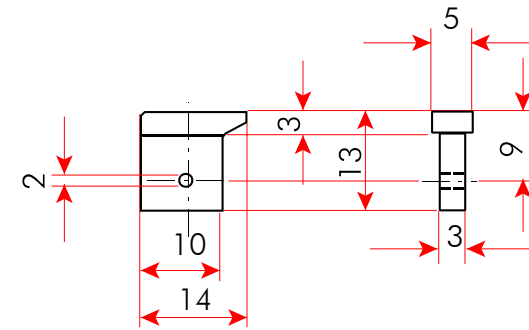
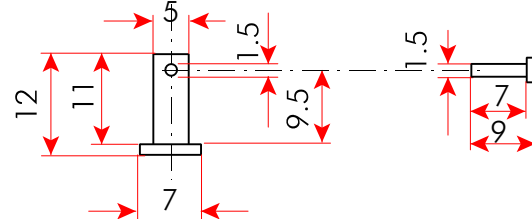
Trigger Bar Pin



Safety Catch Button

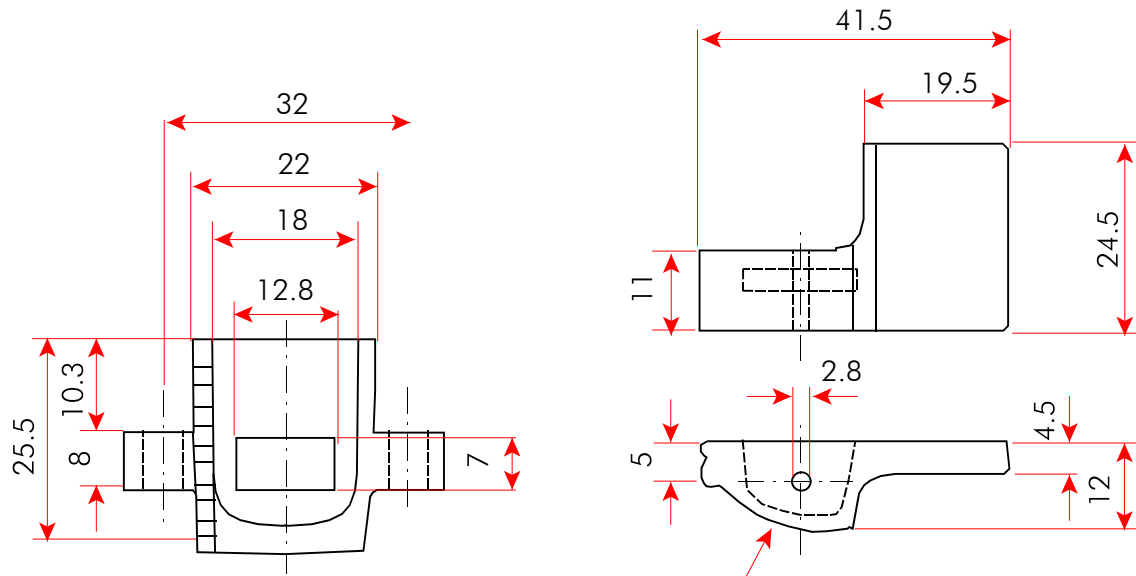


Trigger Lever and Bolt

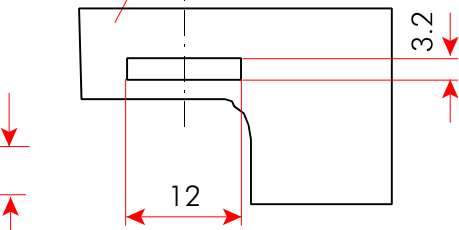
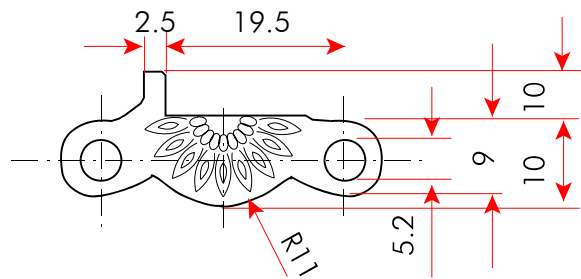


Safety Catch

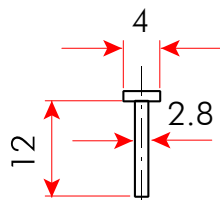
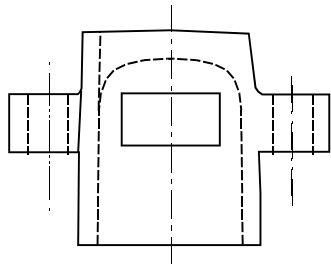
French Wheel Lock, ca. 1620
 Replica, Trigger Bar, Trigger
 Lever, Safety Catch



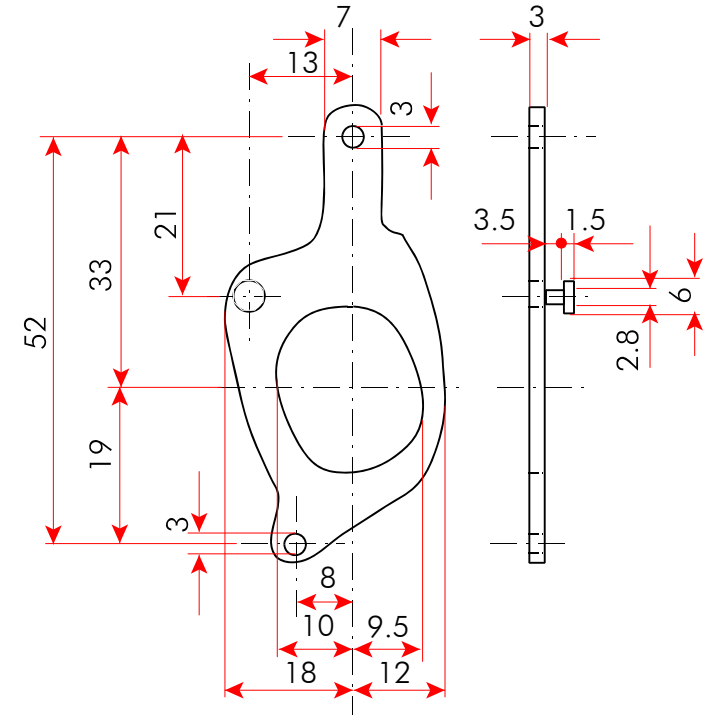
Flash Pan



Pan Cover



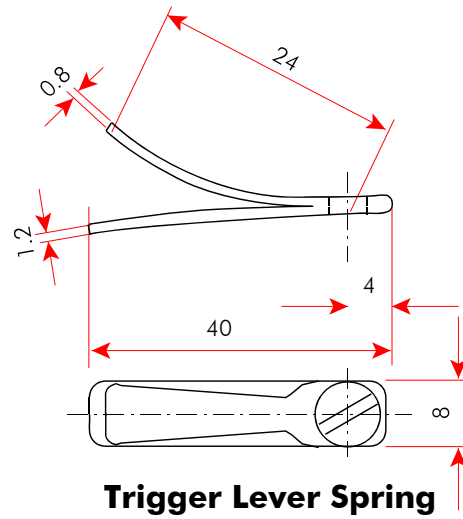
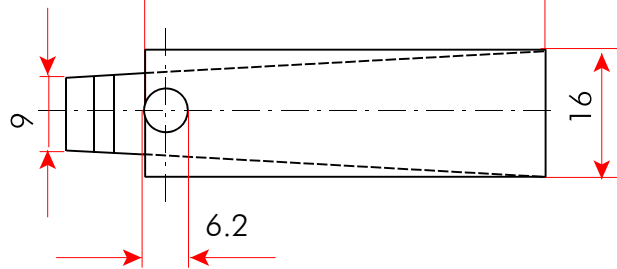
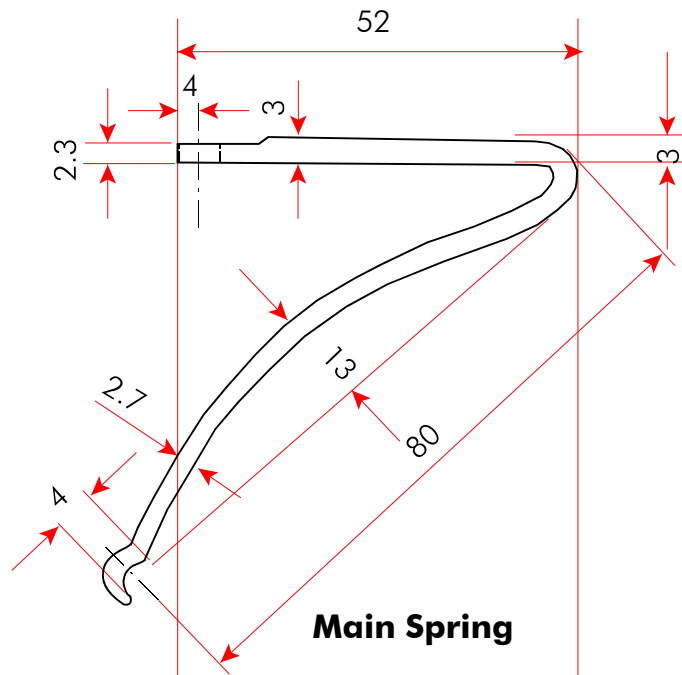
Cover Lever Pin



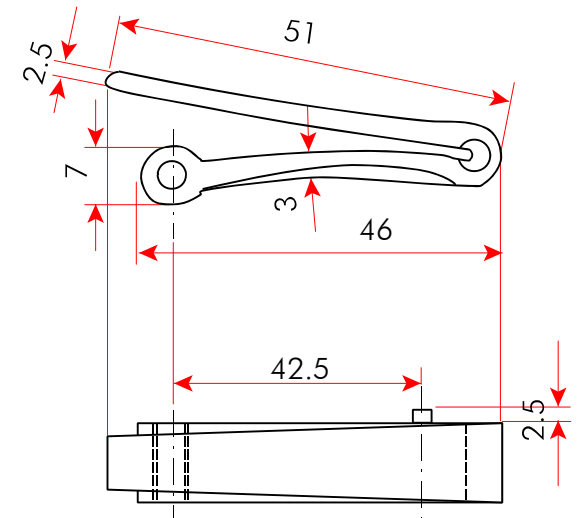
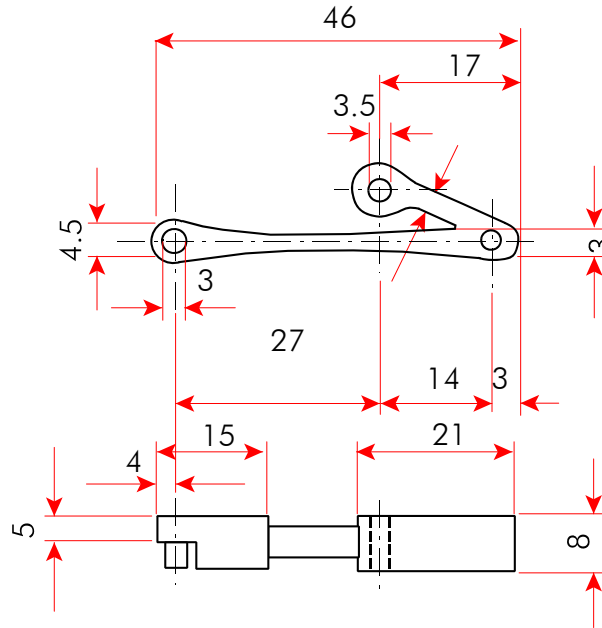
Flash Pan Cover Lever

**French Wheel Lock, ca. 1620
Replica, Flash Pan, Pan Cover**

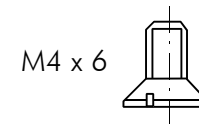
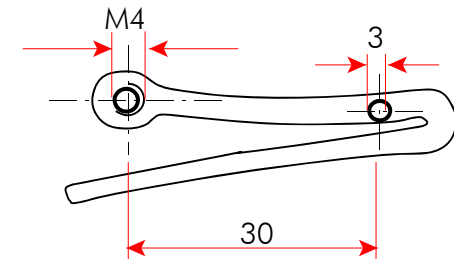
Scale 1 : 1



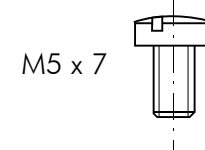
Pan Cover Spring



Cock Spring



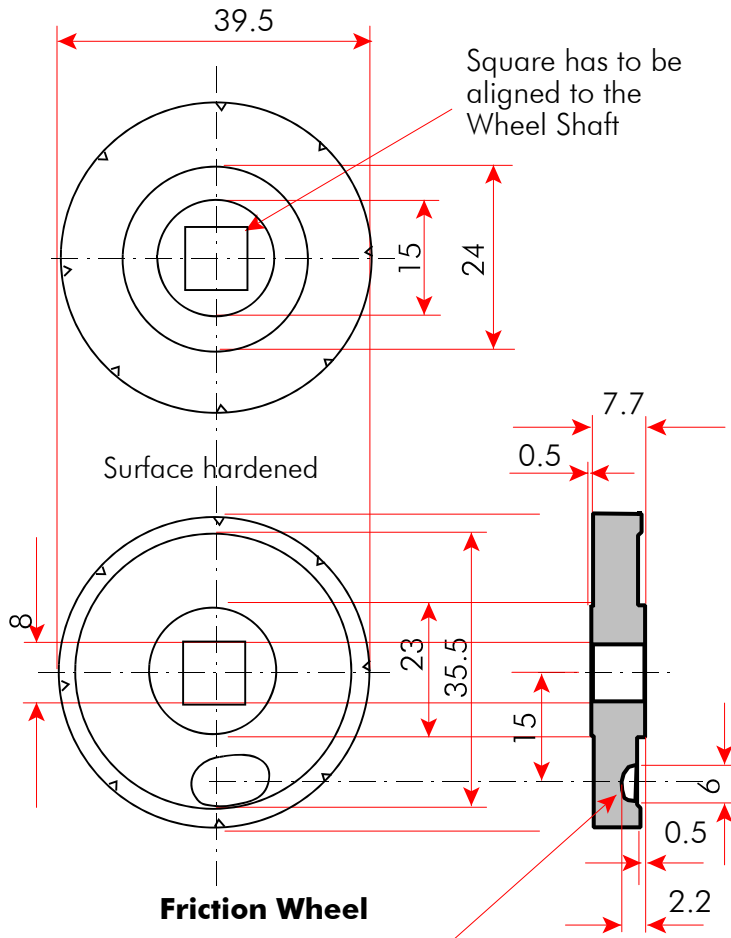
Cock Spring Screw



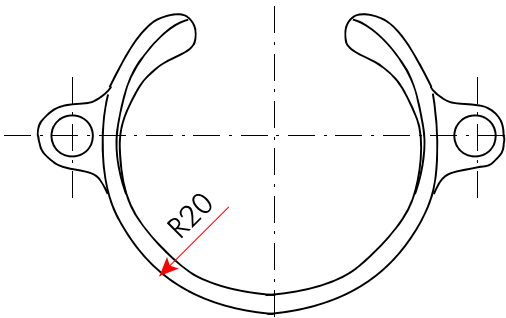
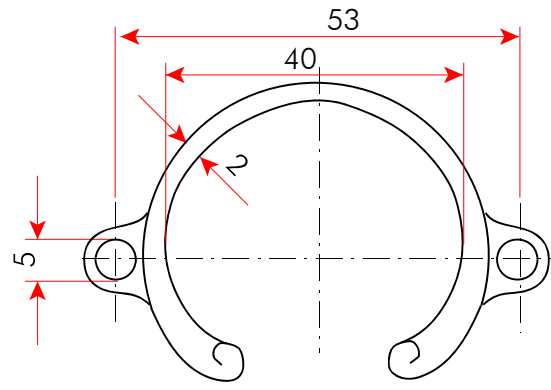
Cover Lever Screw

**French Wheel Lock, ca. 1620
Replica, Wheel Lock Springs**

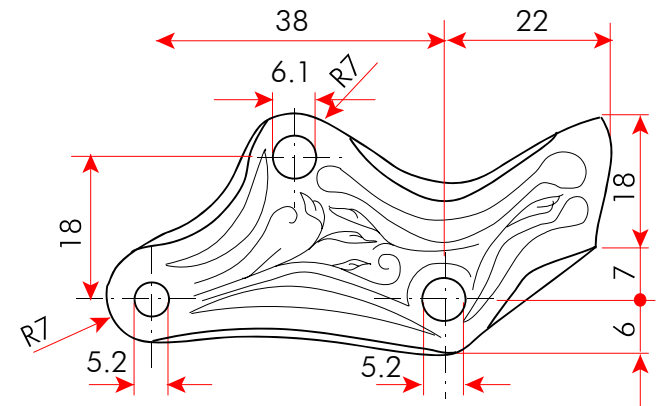
Scale 1 : 1



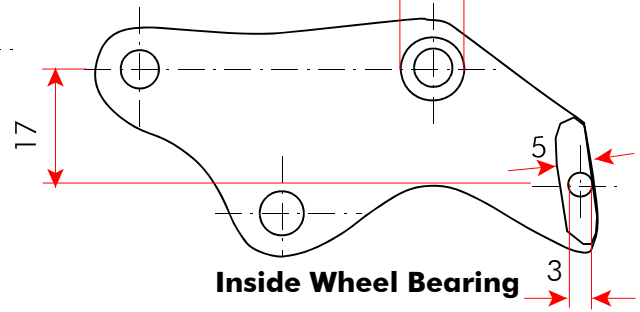
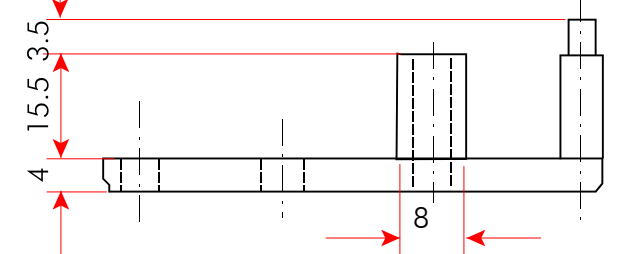
Recess has to be aligned to the Nose of the Trigger Lever



Wheel Cover

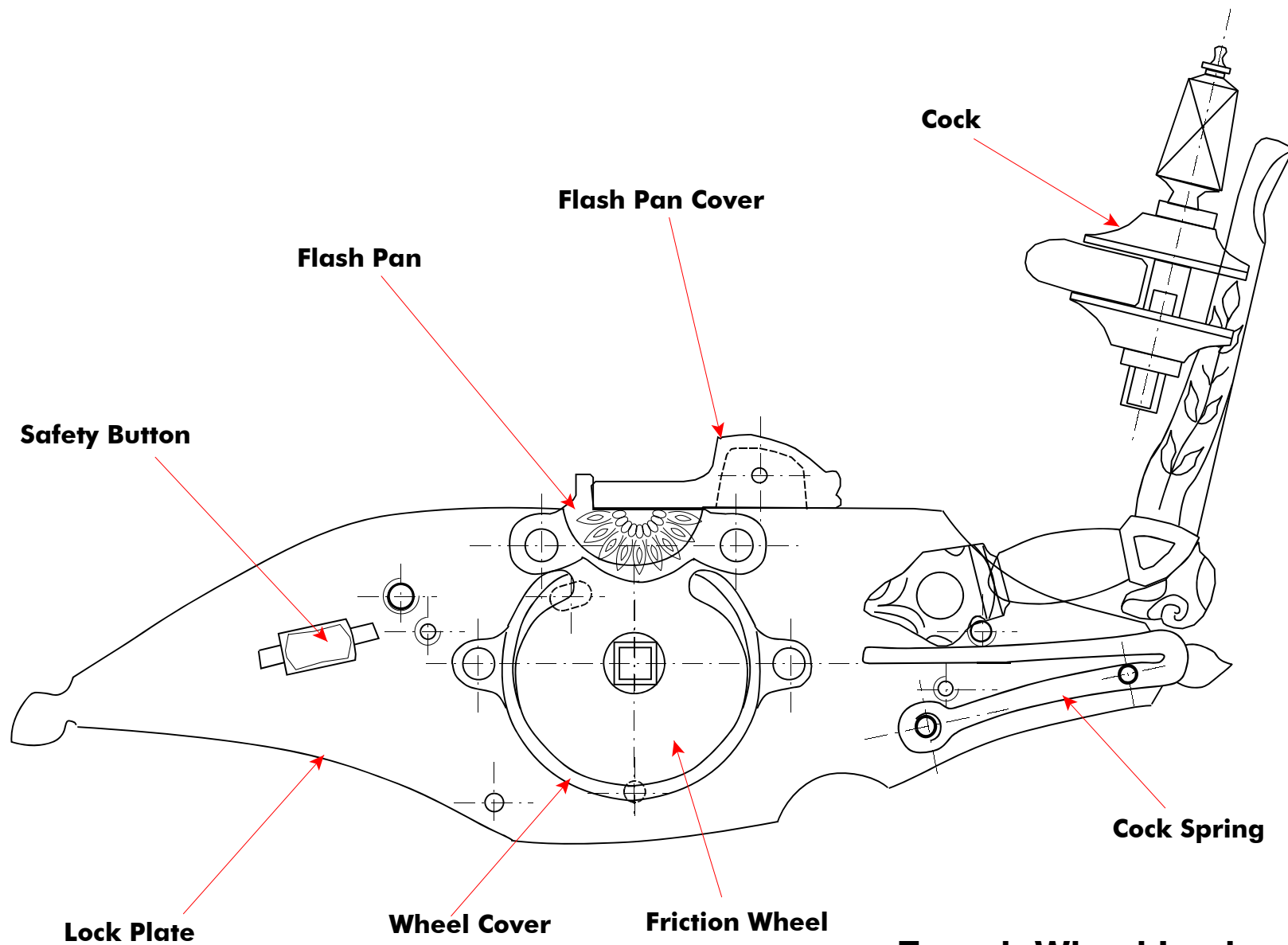


Loch- und Stiftvermessung sind an die Bohrungen der Schlossplatte anzupassen

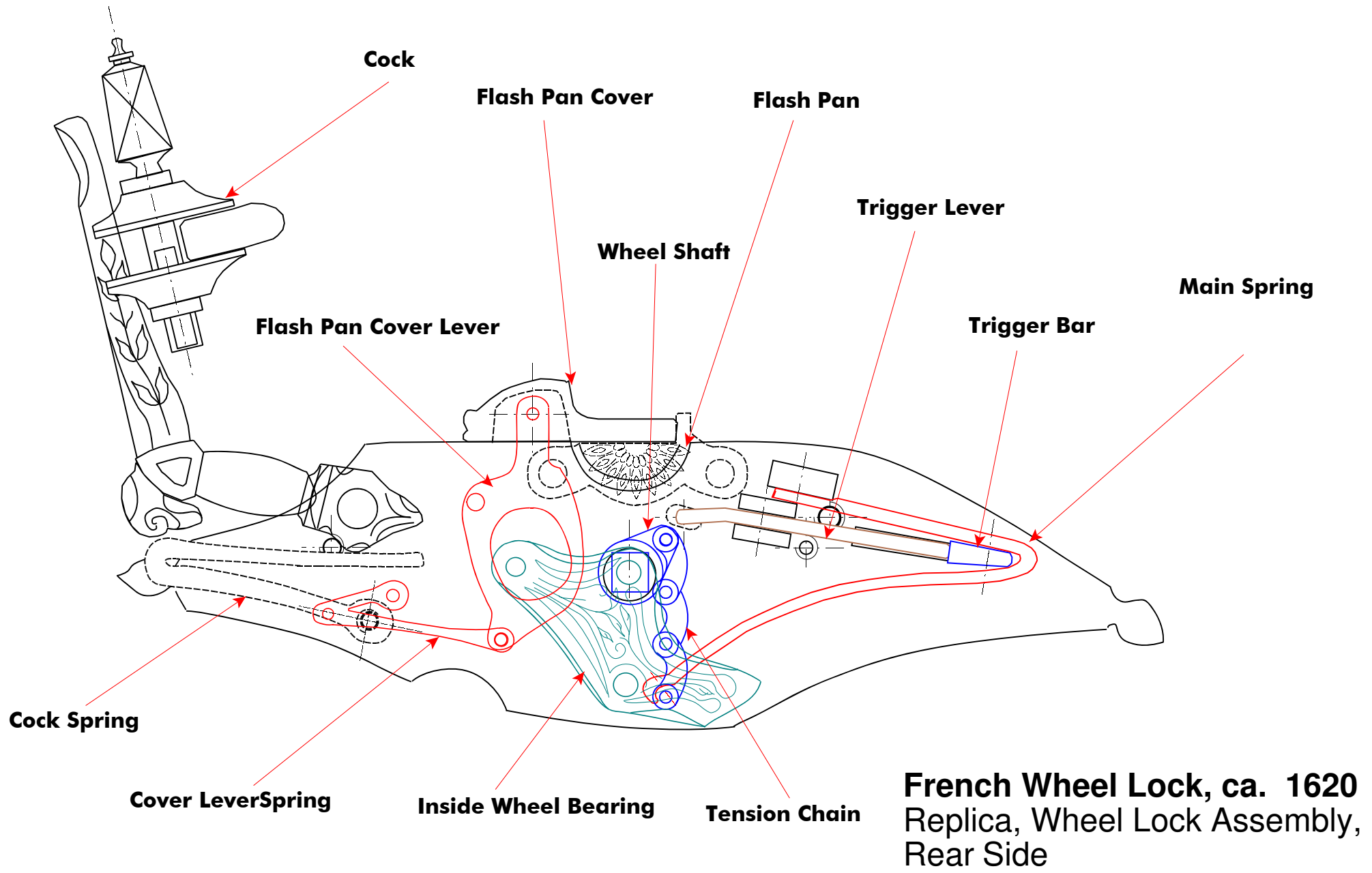


Inside Wheel Bearing

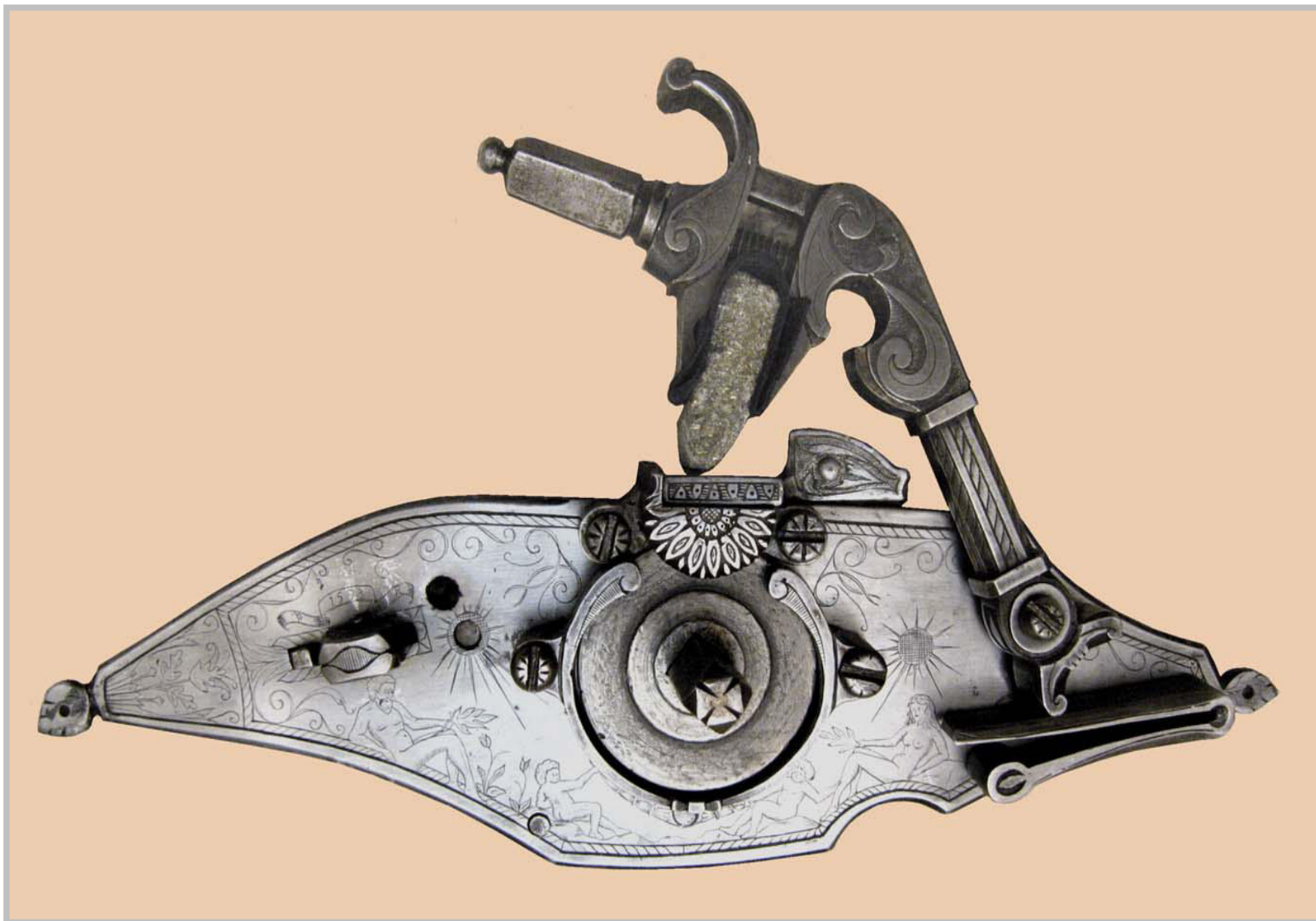
French Wheel Lock, ca. 1620
 Replica, Wheel, Wheel Cover,
 Inside Wheel Bearing



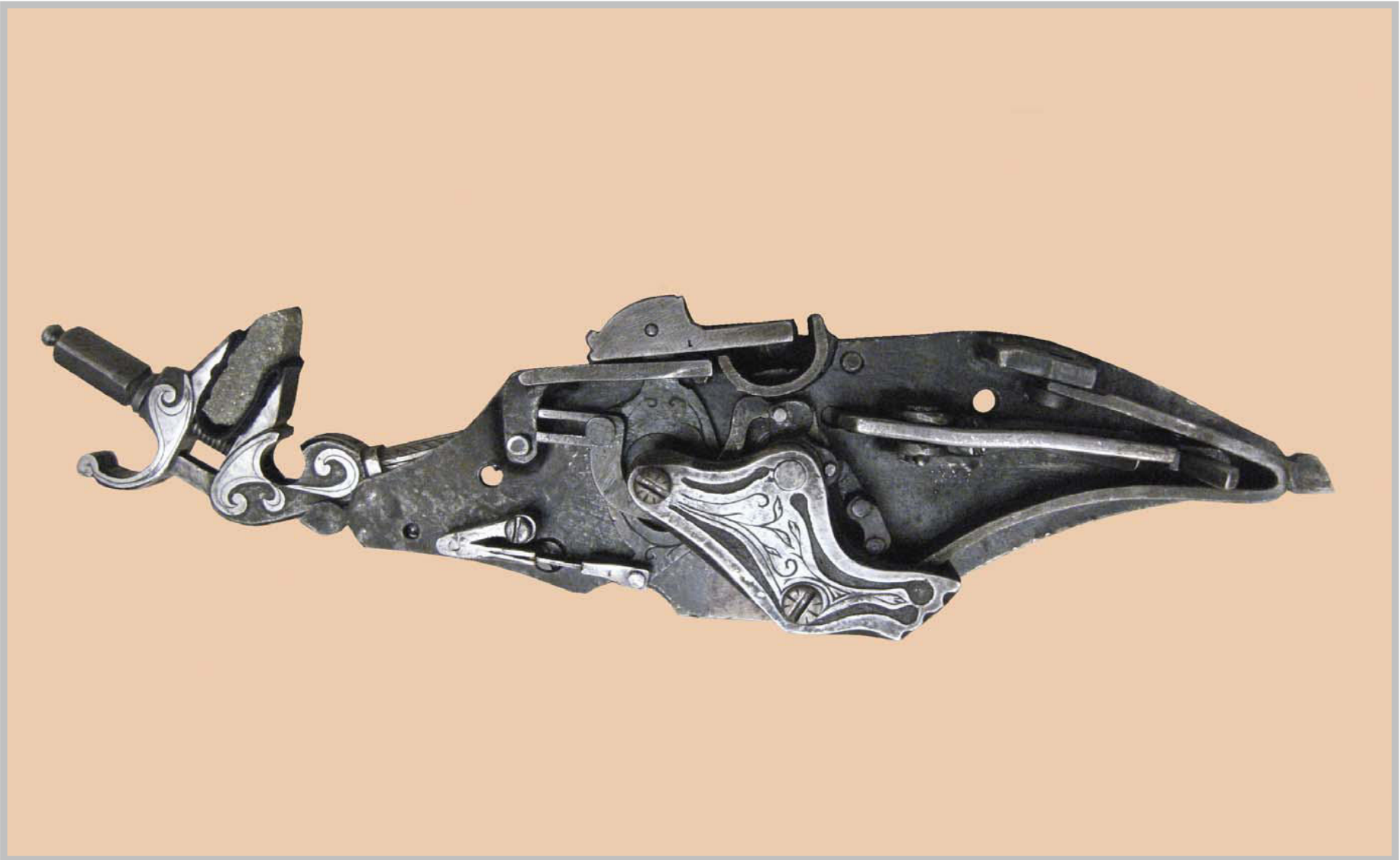
French Wheel Lock, ca. 1620
Replica, Wheel Lock Assembly,
Front Side



Replica French Wheel Lock, ca. 1620



Replica French Wheel Lock, ca. 1620



End