



Snaphaunce Lock of a Hunting Rifle, ca. 1580

Private Ownership

copyright 2011, Peter H. Kunz, CH-8200
Schaffhausen

Übersicht

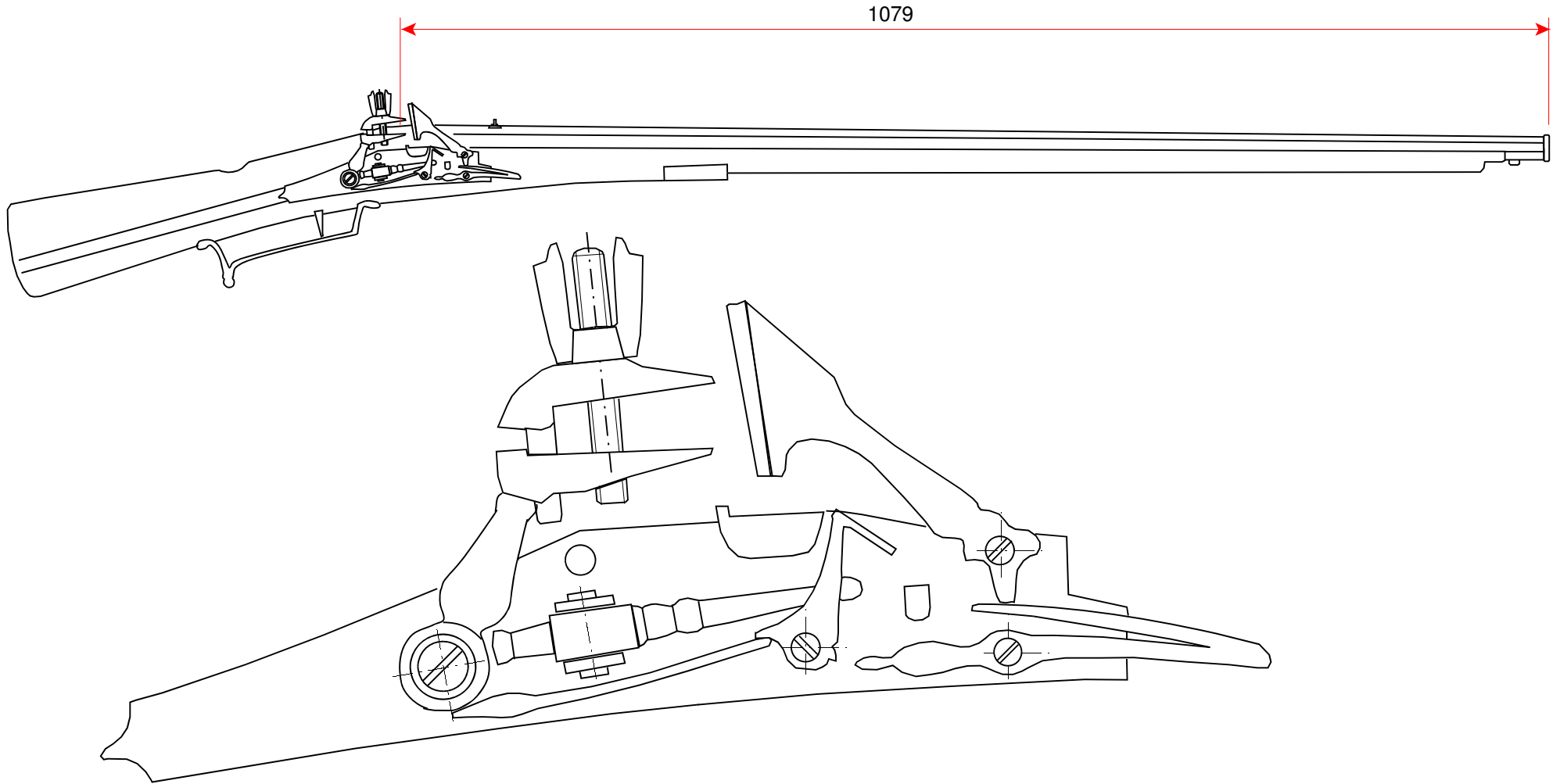
- 1 German Pistol with Nürnberg Snaphance Lock, ca. 1570, Photo
- 2 Hunting Rifle with Nürnberg Snaphance Lock, German, ca. 1580, Photo
- 3 Hunting Rifle with Nürnberg Snaphance Lock, ca. 1580, Photo
- 4 Replica, Nürnberg Snaphance Lock, ca. 1570, Front View, Drawing
- 5 Replica, Lock Plate, Drawing
- 6 Replica, Flash Pan, Pan Cover, Pan Cover Spring, Release, Drawing
- 7 Replica, Cock, Cock Screw, Drawing
- 8 Replica, Steel, Steel Spring, Steel Lug, Drawing
- 9 Replica, Main Spring, Tumbler, Bearing, Drawing
- 10 Replica, Trigger Bar, Trigger Lever, Trigger Bearings, Trigger Springs, Drawing
- 11 Replica, Mounting Screws, Drawing
- 12 Replica, Assembly Drawing, Front View
- 13 Replica, Assembly Drawing, Rear View
- 14 Replica Nürnberg Snaphance Lock, Front View, Photo
- 15 Replica Nürnberg Snaphance Lock, Rear View, Photo

German Pistol with Nürnberg Snaphance Lock, ca. 1570



Tower of London

Proposed Lock fore Replica



Hunting Rifle with Nürnberg Snaphance Lock
German, ca. 1580
Caliber 20 mm

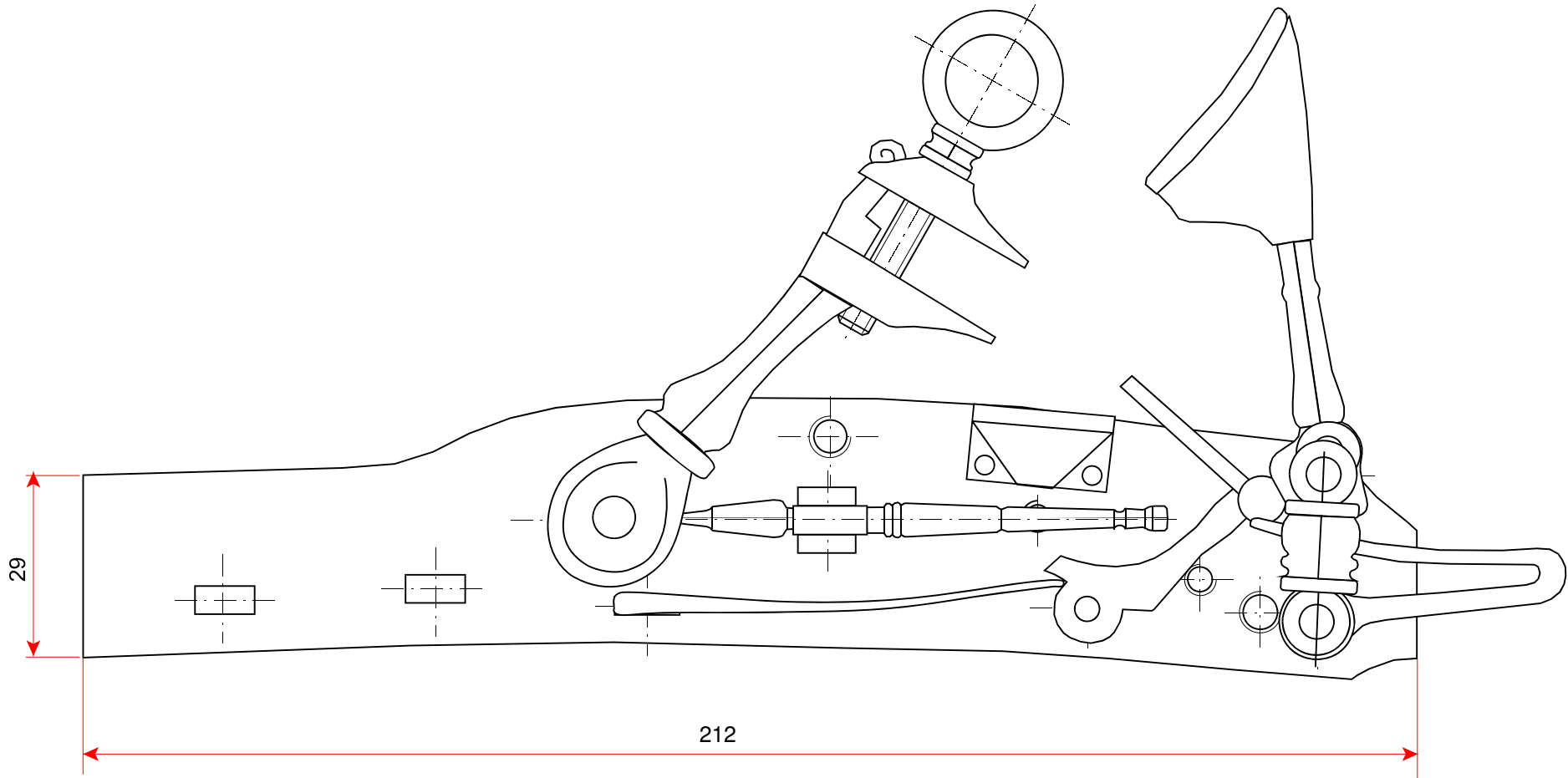
Pitt Rivers Museum, Oxford

Hunting Rifle with Nürnberg Snaphance, ca. 1580



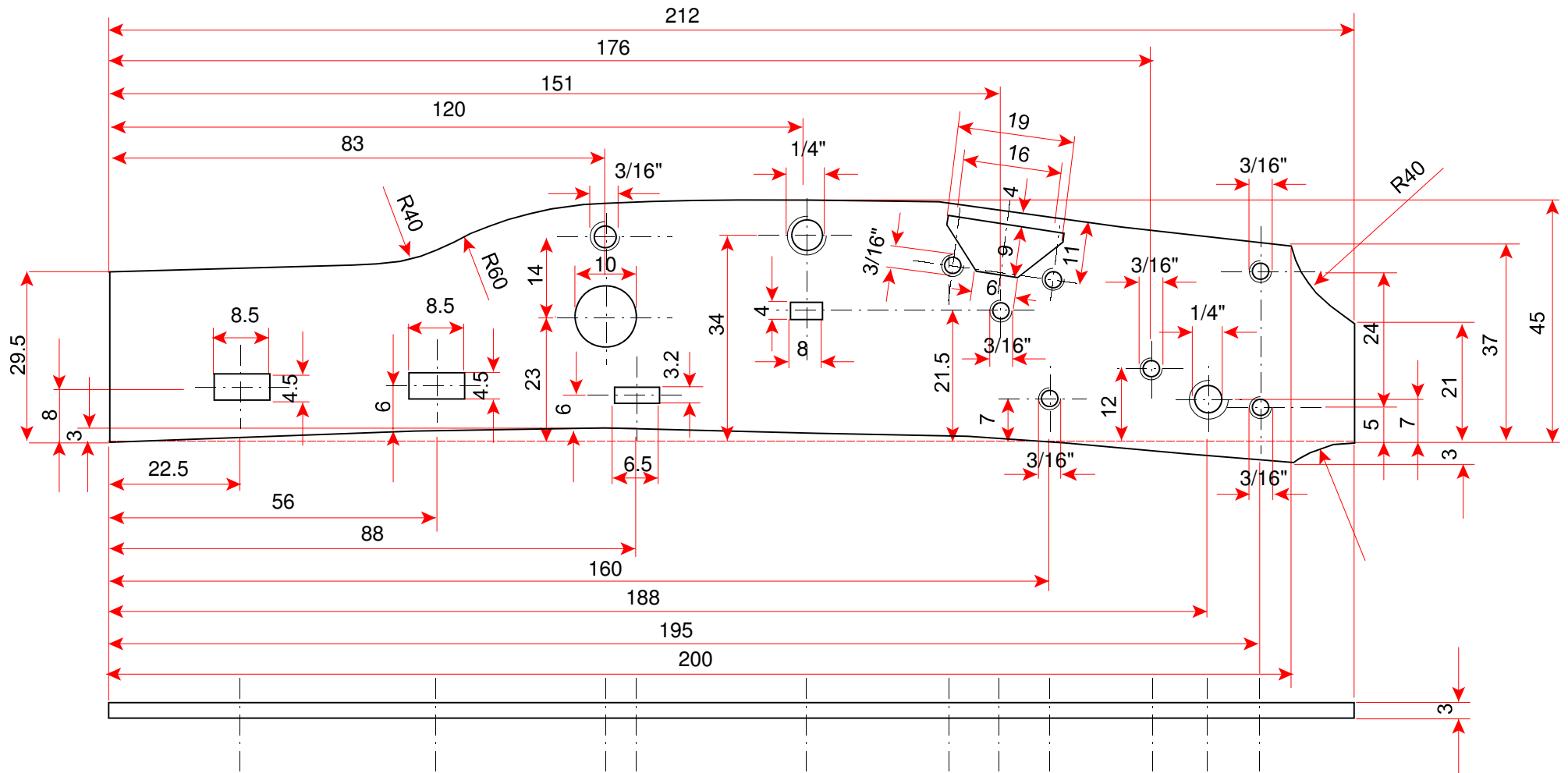
Private Collection

Proposed Lock to be reconstructed



Nürnberg Snaphance Lock, ca. 1570
Replica, Front View

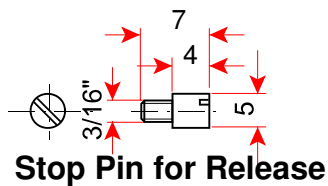
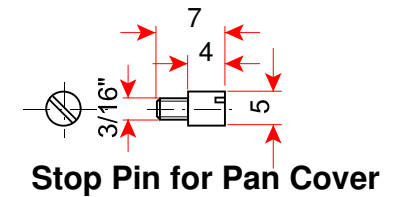
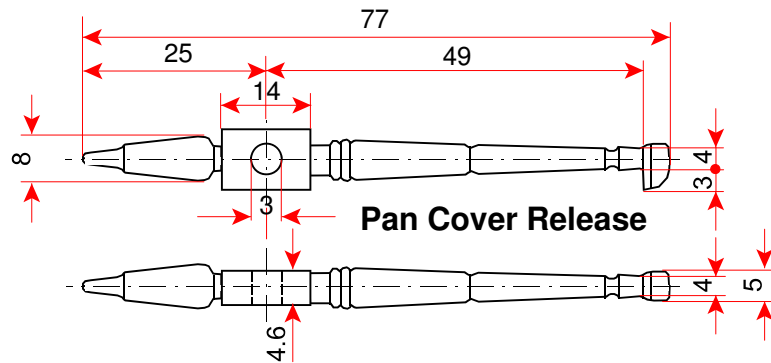
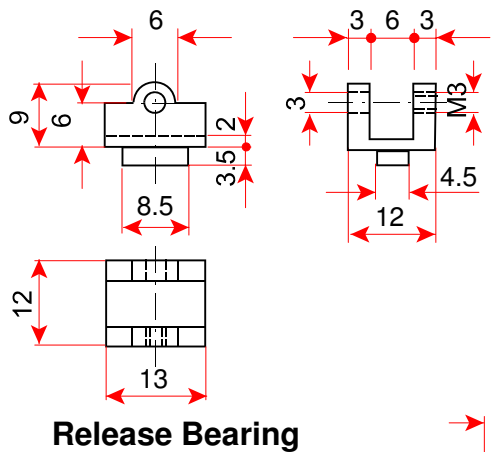
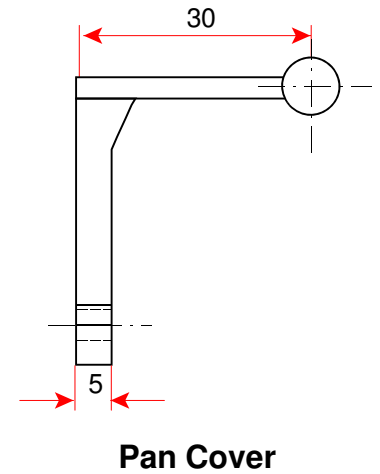
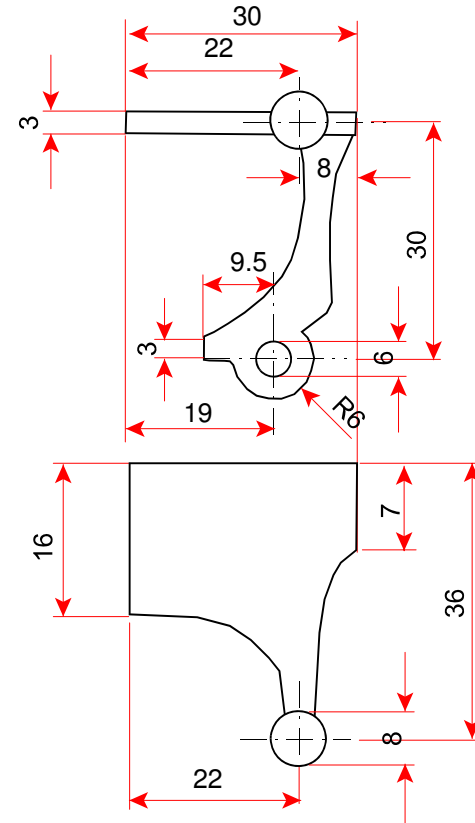
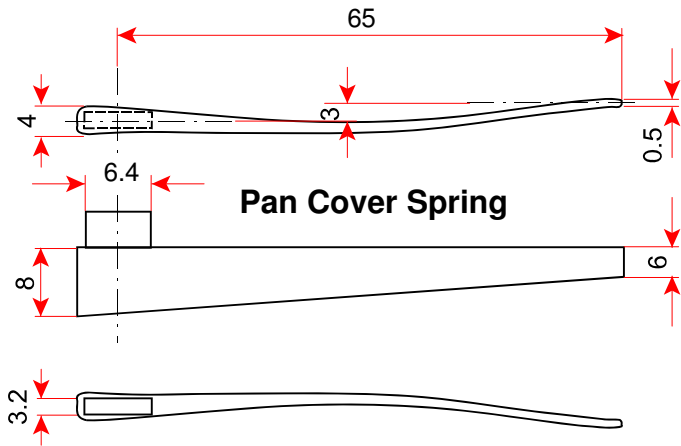
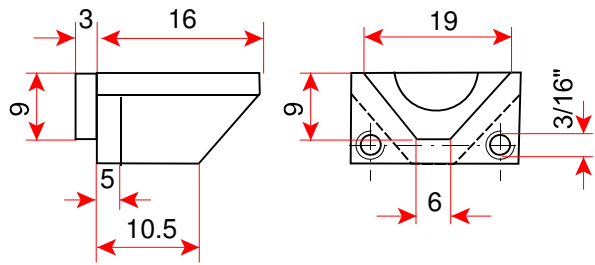
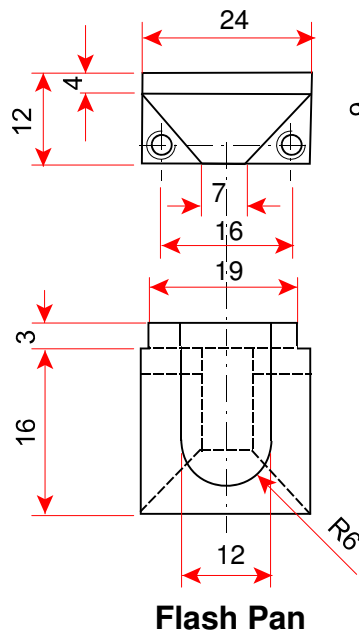
Scale 1:1



The Dimensions have to be matched to the Dimensions of the other Component of the Lock.

Nürnberg Snapshance Lock, ca. 1570 Replica, Lock Plate

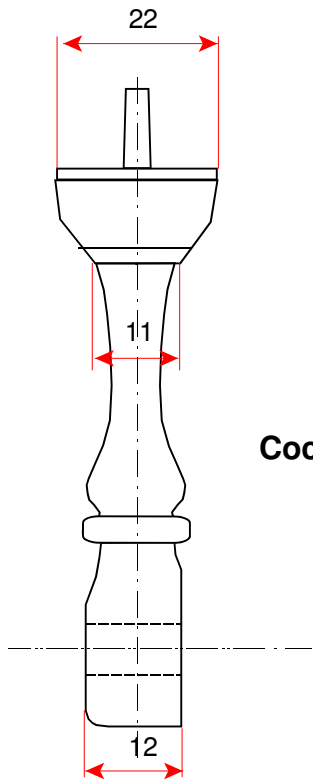
Scale 1:1



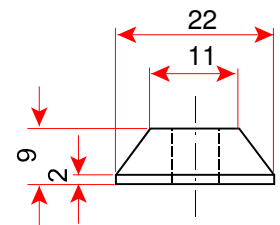
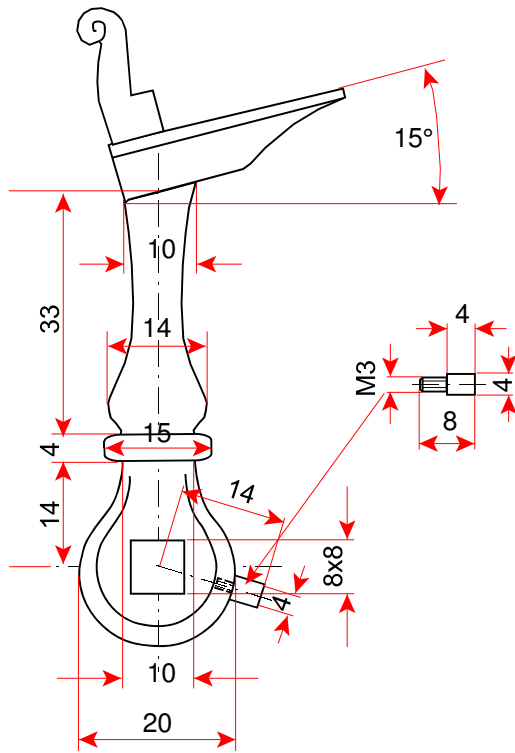
The Dimensions have to be matched to the Dimensions of the other Component of the Lock.

Nürnberg Snaphance Lock, ca. 1570
 Replica, Flash Pan, Pan Cover, Pan Cover Spring, Release

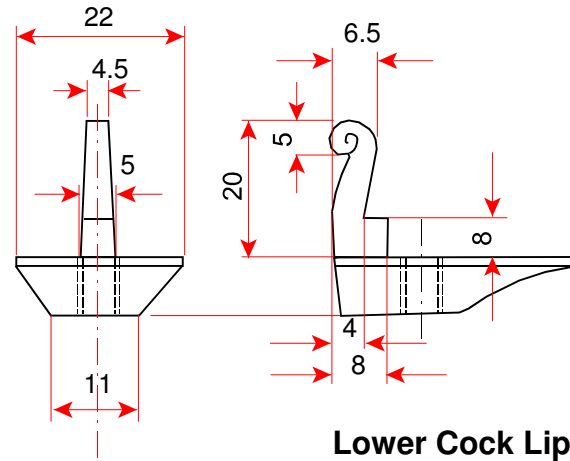
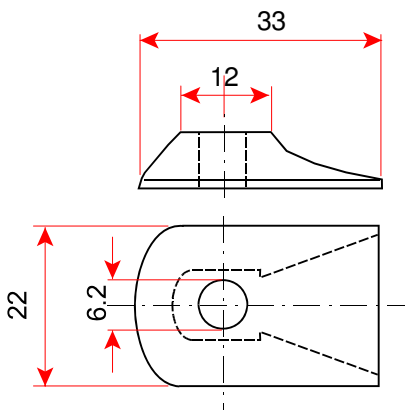
Scale 1:1



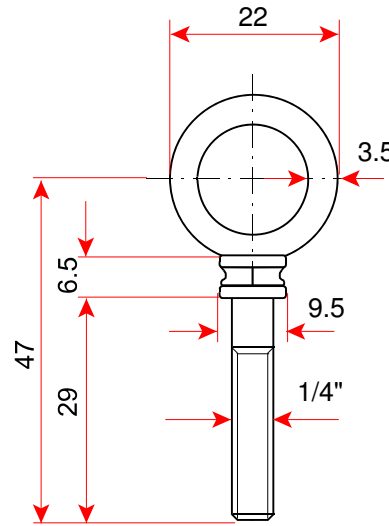
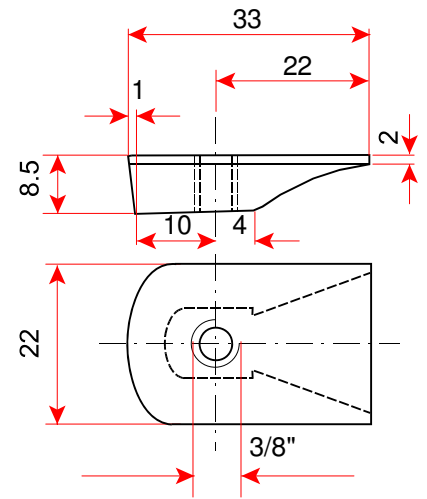
Cock



Upper Cock Lipp



Lower Cock Lipp

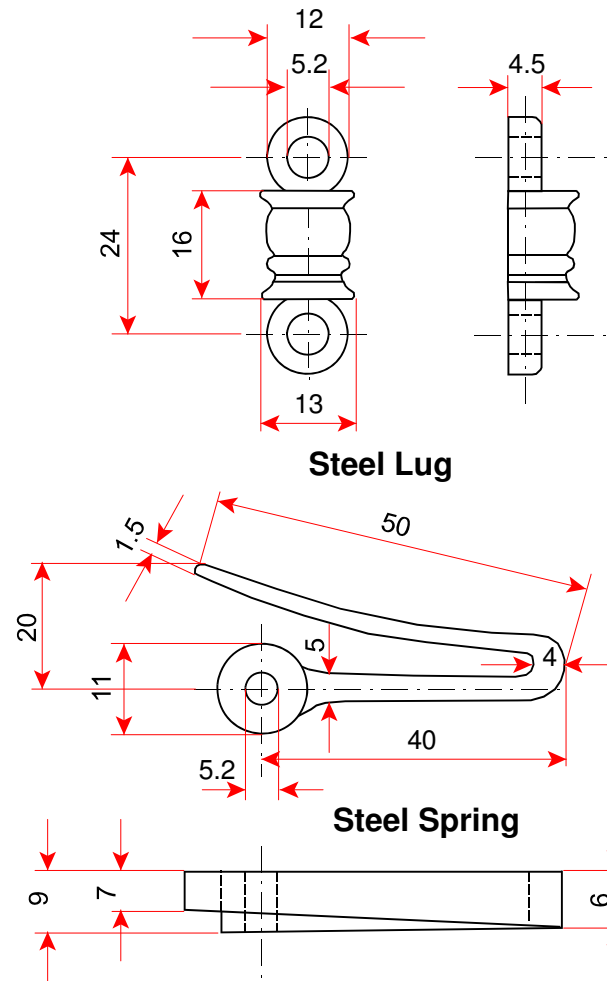
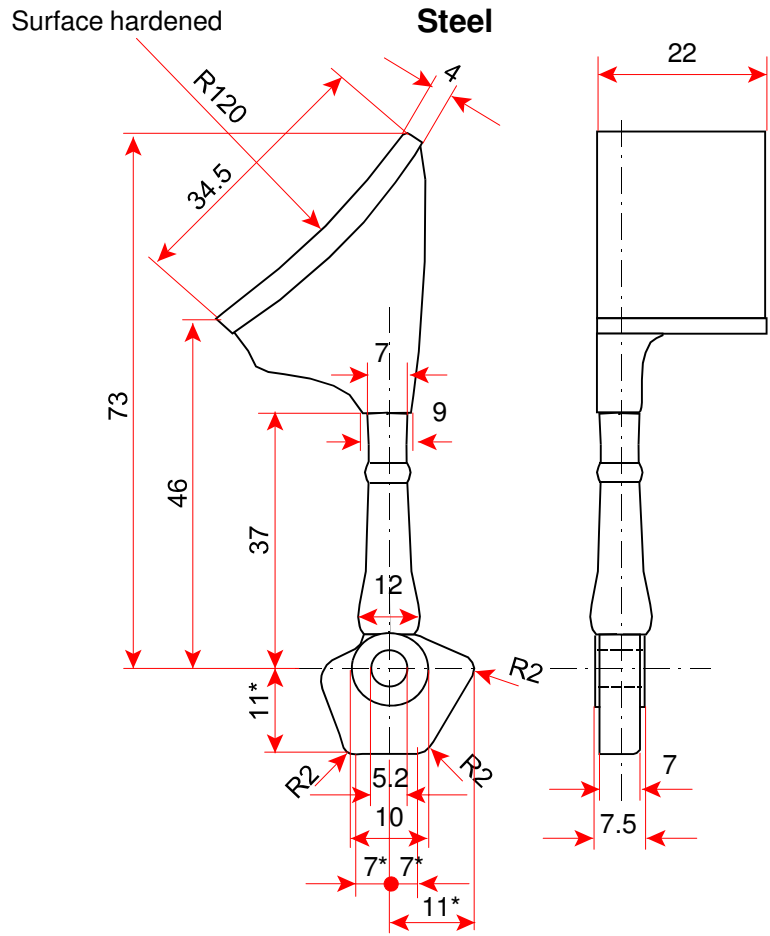


Cock Screw

The Dimensions have to be matched to the Dimensions of the other Component of the Lock.

Nürnberg Snaphance Lock, ca. 1570
 Replica, Cock, Cock Screw

Scale 1:1

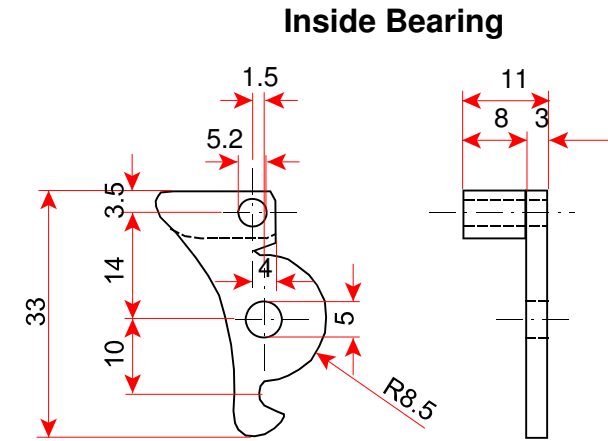
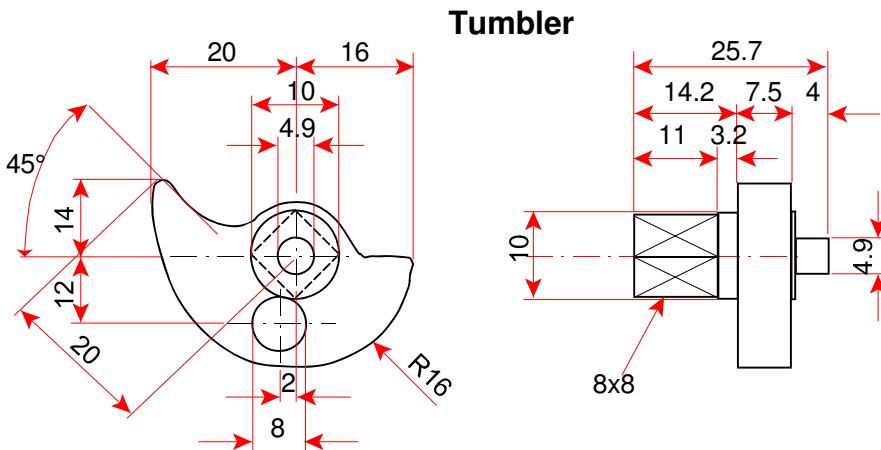
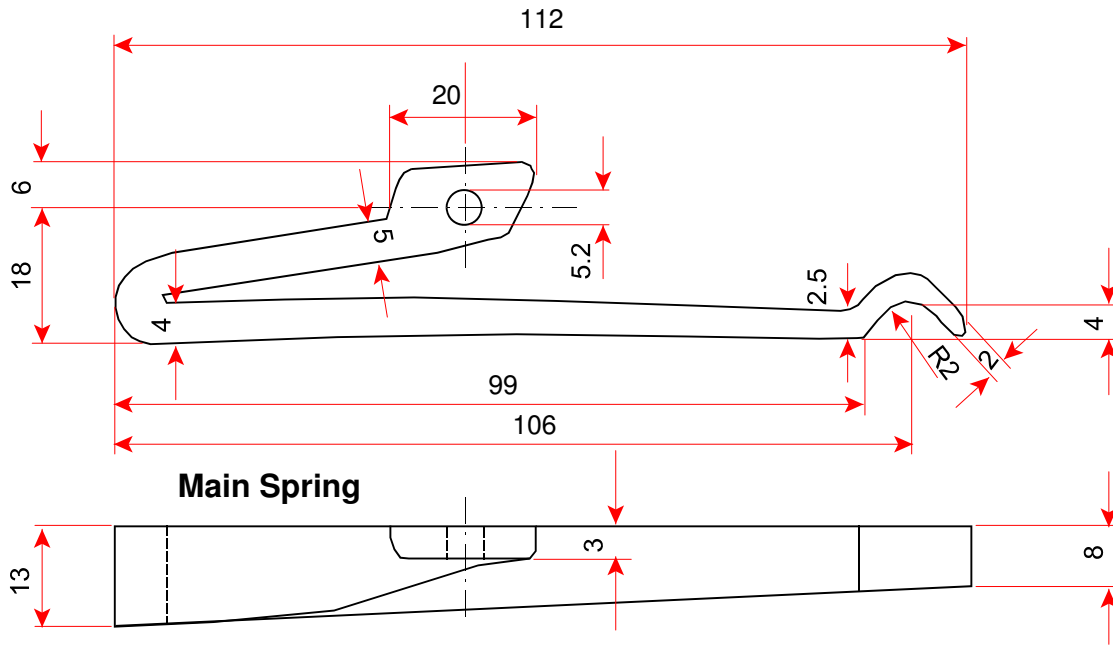


* have to be adjusted to the Cock Spring under Tension

The Dimensions have to be matched to the Dimensions of the other Component of the Lock.

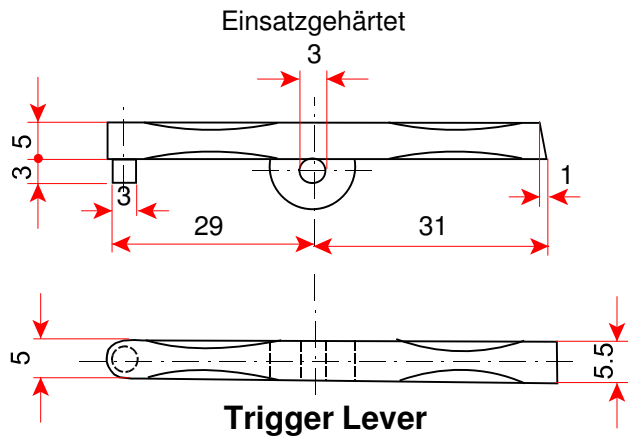
Nürnberg Snapshance Lock, ca. 1570
 Replica, Steel, Steel Spring, Steel Lug

Scale 1:1

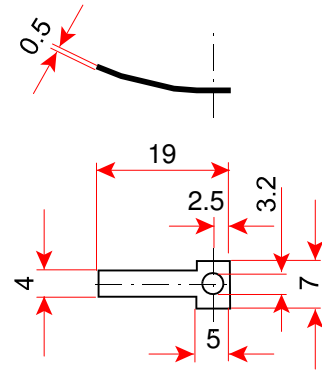


The Dimensions have to be matched to the Dimensions of the other Component of the Lock.

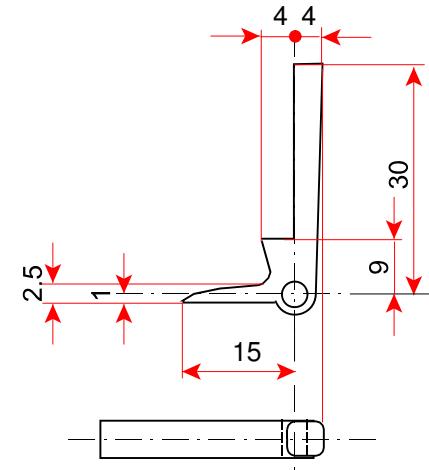
Nürnberg Snaphance Lock, ca. 1570
 Replica, Main Spring, Tumbler, Bearing
 Scale 1:1



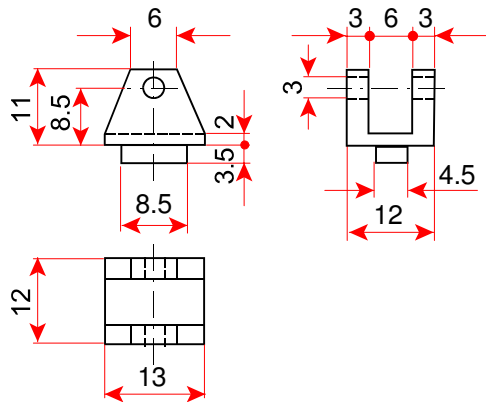
Trigger Lever



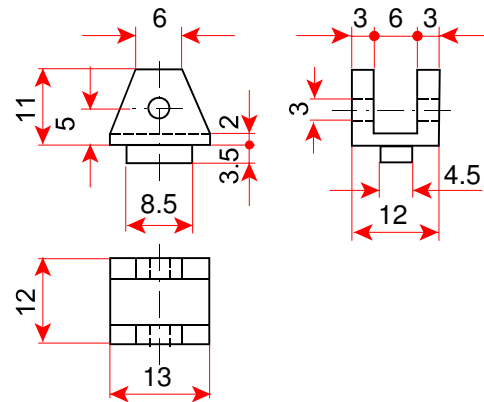
Pan Cover Spring



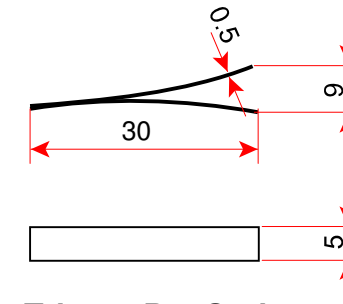
Trigger Bar



Trigger Lever Bearing



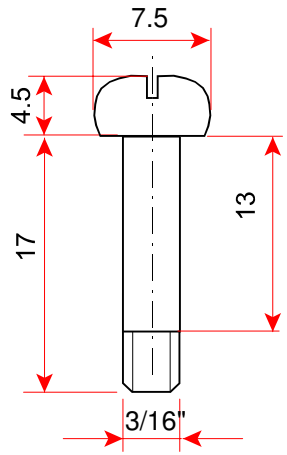
Trigger Bar Bearing



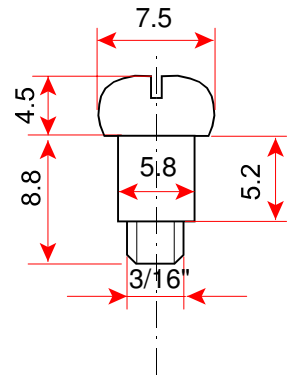
Trigger Bar Spring

The Dimensions have to be matched to the Dimensions of the other Component of the Lock.

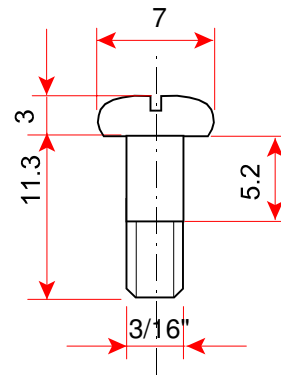
Nürnberg Saphance Lock, ca. 1570
 Replica, Trigger Bar, Trigger Lever, Trigger Bearings, Trigger Springs



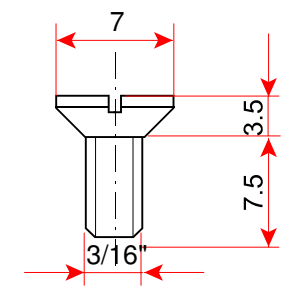
2 Steel Lug Screws



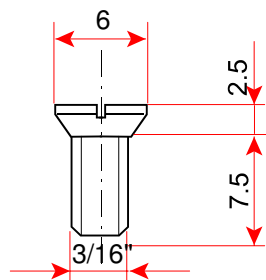
1 Flash Pan Cover Screw



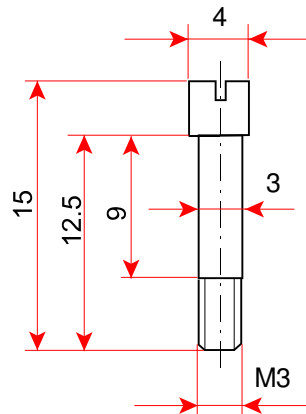
1 Inside Bearing Screw



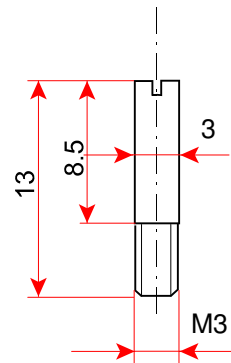
1 Main Spring Screw



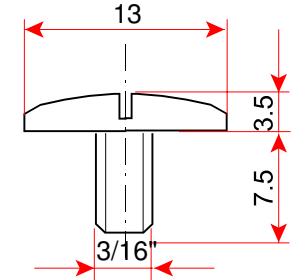
2 Flash Pan Screws



2 Trigger Screws



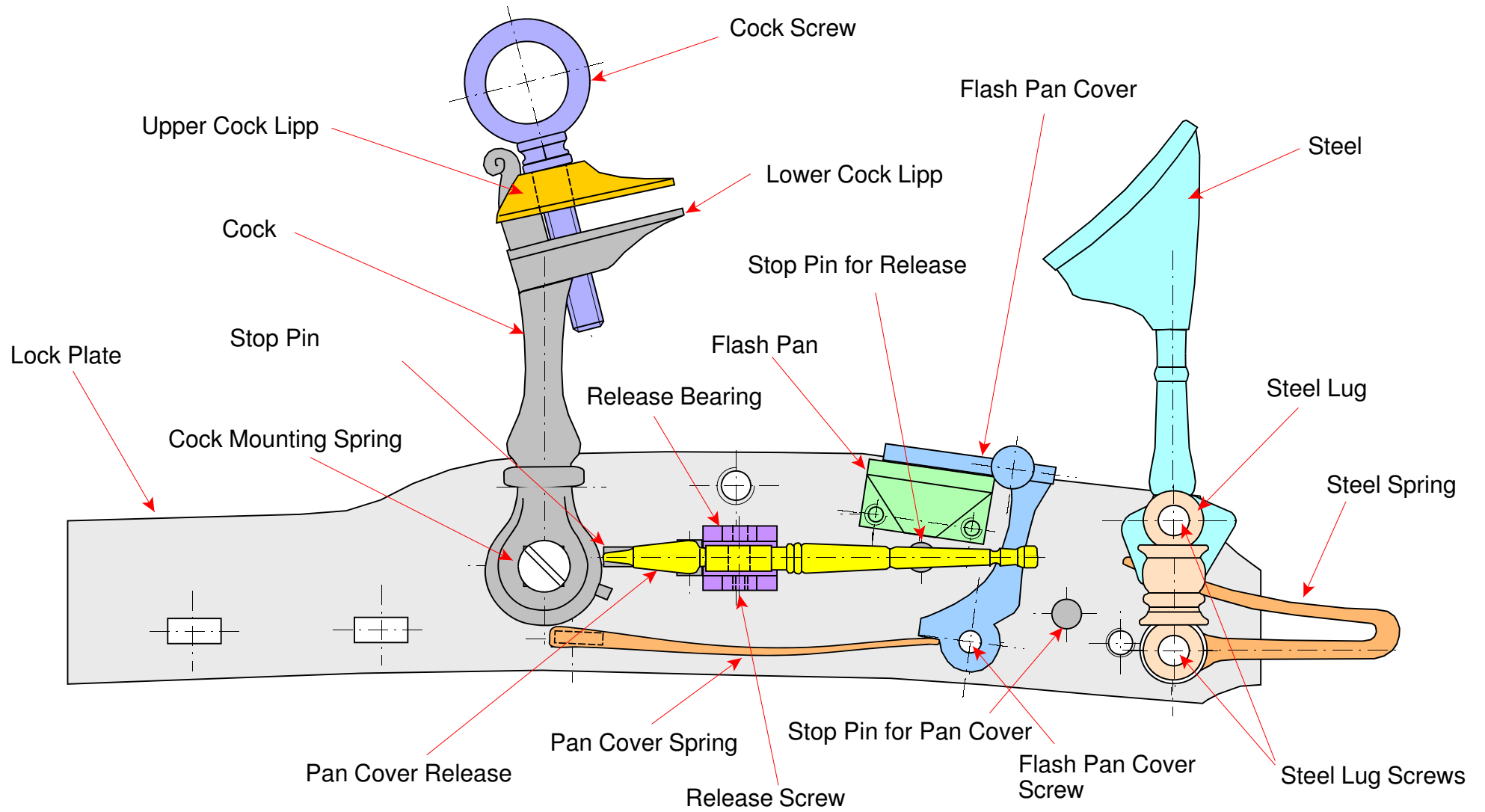
1 Release Screw



1 Cock Mounting Spring

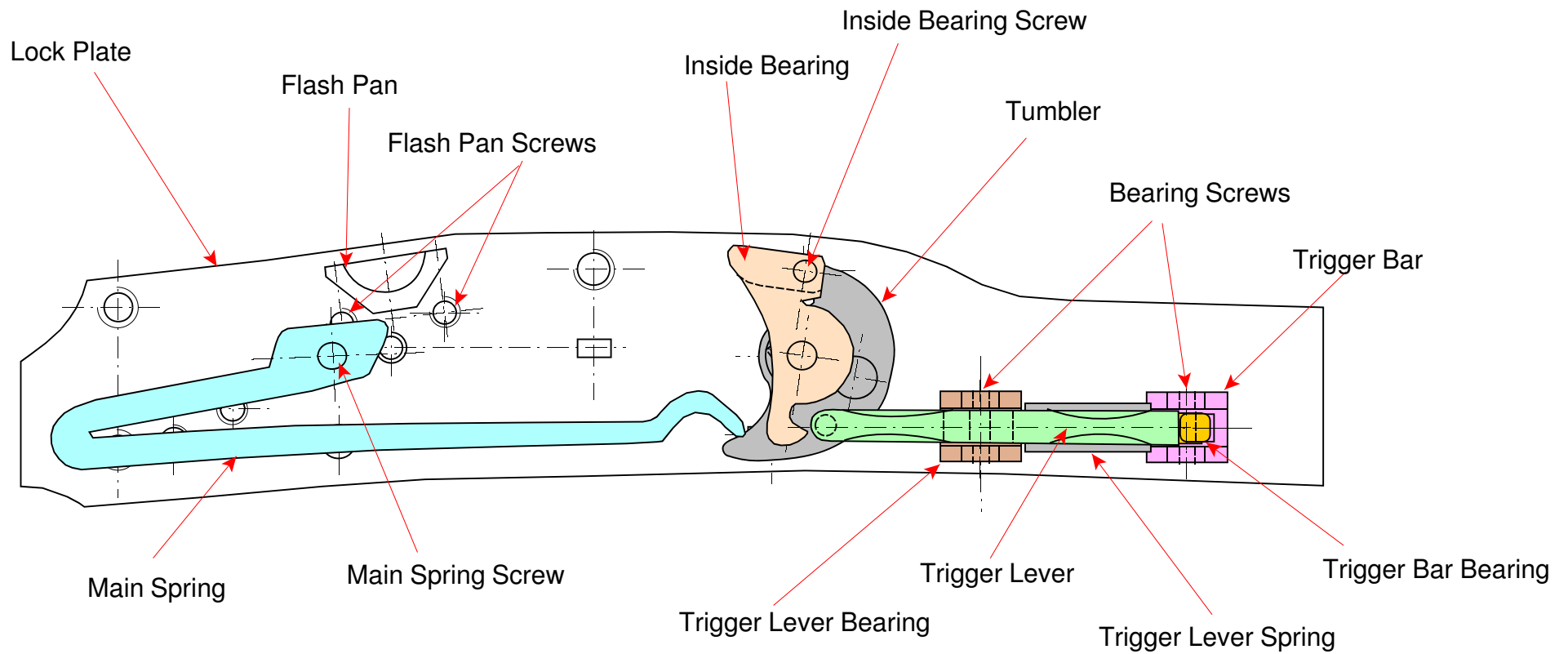
**Nürnberg Snaphance Lock, ca. 1570
Replica, Mounting Screws**

Scale 2:1



Nürnberg Snaphance Lock, ca. 1570
 Replica, Assembly Drawing, Front View

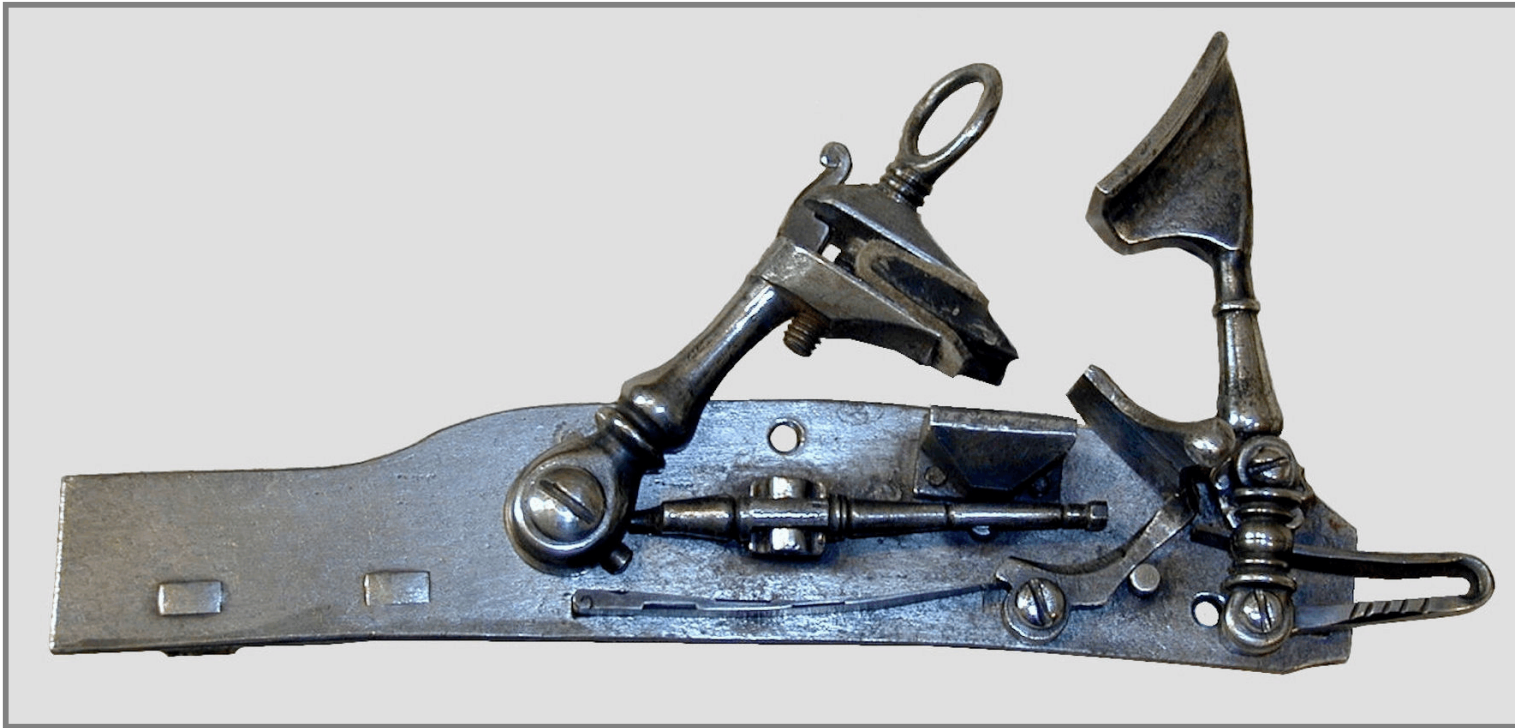
Scale 1:1



Nürnberg Snaphance Lock, ca. 1570
 Replica, Assembly Drawing, Rear View

Scale 1:1

Replica Nürnberg Snaphance Lock, Front View



(Original ca. 1570)

Replica Nürnberg Snaphance Lock, Rear View



(Original ca. 1570)

End