

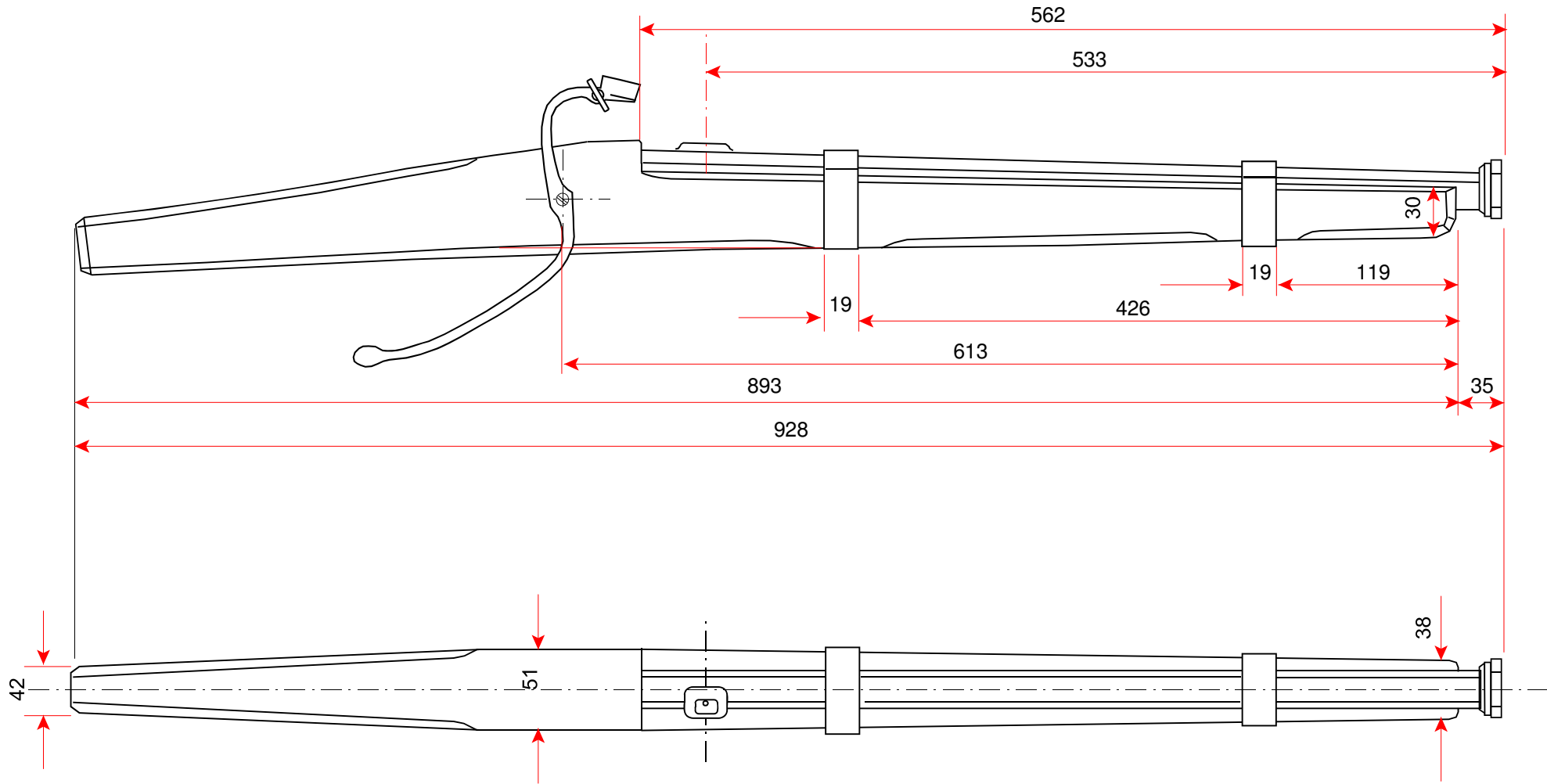
Early Serpentine Match Rifle ca. 1450

Drawings based on wood cuts of the
Time

Copyright 01.2006, Peter H. Kunz, CH-8200 Schaffhausen

Content

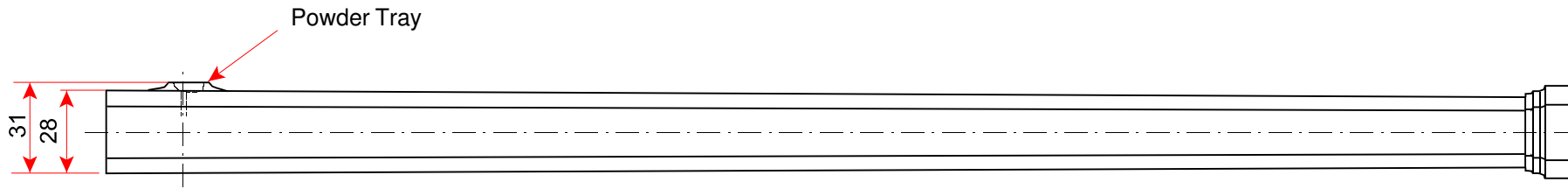
- 1 Replica, Main Dimensions, Drawing
- 2 Replica, Serpentine, Main Dimensions, Drawing
- 3 Original Barrel Main Dimensions, Drawing
- 4 Replica, Oak Stock, Dimensions, Drawing
- 5 Replica of Early Match Lock Gun, ca. 1490, Photo
- 6 Replica of Early Match Lock Gun, Rear Side, Photo
- 7 Replica, Serpentine, Photo
- 8 Nachbau, Pulverpfanne und Mündung, Abbildung



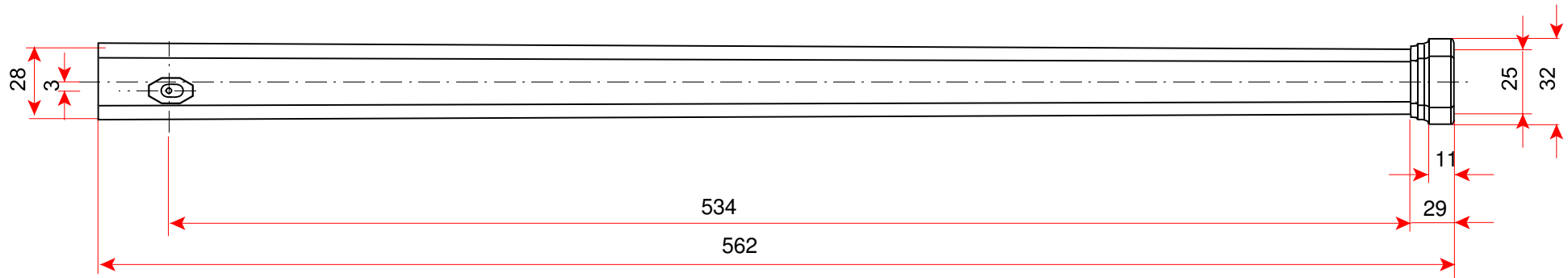
The Dimensions of the Stock and the Serpentine have been calculated based on Length of original octogonal Barrel

Early Match Lock Gun, ca 1490

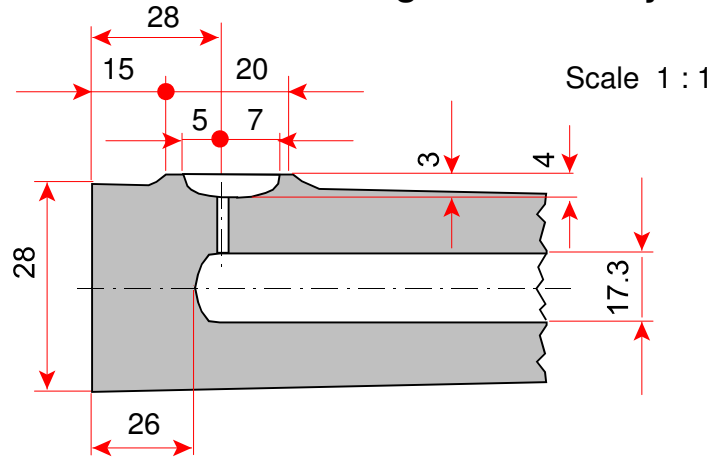
Replica, Main Dimensions



Scale 1 : 2.5



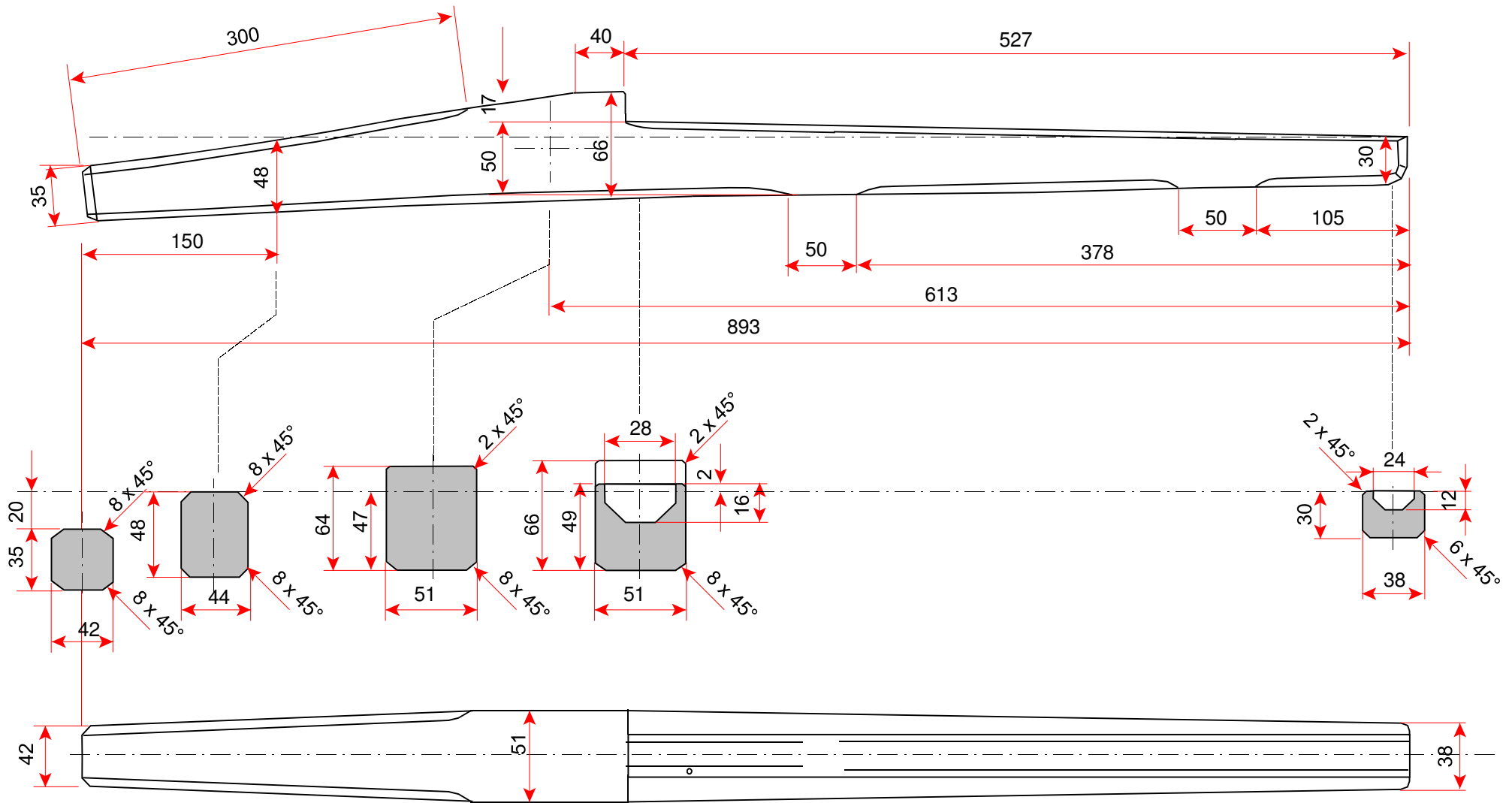
Cross Section through Powder Tray



Early Match Lock Gun, ca 1490

Original Barrel Main Dimensions

Scale 1 : 2.5



Early Match Lock Gun, ca 1490

Replica, Oak Stock, Dimensions

Replica of Early Match Lock Gun, ca. 1490



Replica of Early Match Lock Gun, Rear Side



Replica, Serpentine



Replica Serpentine and Original Powder Tray



Original Barrel with Replica Stock



End